



AB-TS09LS-230VO + AB-TS09CT-230VI

Job Name: _____

Location: _____

Engineer: _____

Submitted to: _____

Submitted by: _____

Reference: _____

Date: _____

Approval: _____

Construction: _____

Unit #: _____

Drawing #: _____

KEY FEATURES:

- High-efficiency Inverter Technology for consistent comfort and energy savings
- Uses environmentally friendly R32 refrigerant for improved performance
- AHRI and ETL listed
- Wide operating range for reliable heating and cooling performance
- Advanced airflow control for even temperature distribution
- Smart Sync Built-In
- Ceiling Cassette Single-Zone System
- 16' Line Set and Drain Lines, 21' Communication Cable Included

NOTES:





AB-TS09LS-230VO + AB-TS09CT-230VI

Indoor Model			AB-TS09CT-230VI
Power supply		V, Ph, Hz	208-230, 1PH, 60HZ
Communication wiring			AWG 16x4
Cooling	Capacity	Btu/h	9,000 (2000~10400)
	Input	w	750
	Rated current	A	3.3
	EER/EER2	Btu/w	11.0
	SEER/SEER2	Btu/w	20.0
Heating at 47 °F	Capacity	Btu/h	2500~12500
	Input	W	720
	Rated current	A	3.1
	COP	W/W	3.8
	HSPF4/HSPF2-4		9.5
	HSPF5/HSPF2-5		9.0
Indoor fan motor	Qty		1
	Input		30
	RLA		0.13
Indoor air flow (Turbo/Hi/Med/Lo) (No duct)		CFM	329/300/270/217/194
ESP (range)		In.wg.	
Indoor noise level (Hi/Med/Lo)		dB(A)	43/41/37/33/32
Dehumidification		L/H	2.2
Indoor unit	Dimensions (WxDxH)	inch	22 -1/2"×22 -1/2"×10 -1/4"
	Packing (WxDxH)	inch	28 -1/4"×25 -7/8"×11 -7/8"
	Net/Gross weight	lbs	31.9
Drainage water pipe diameter		inch	0.63
Refrigerant piping (Liquid side/Gas side)		inch	1/4" 3/8"
Design pressure		PSIG	609/174
Controller			Remote Controller
Room temperature	Cooling	F	62~89
	Heating	F	32~86

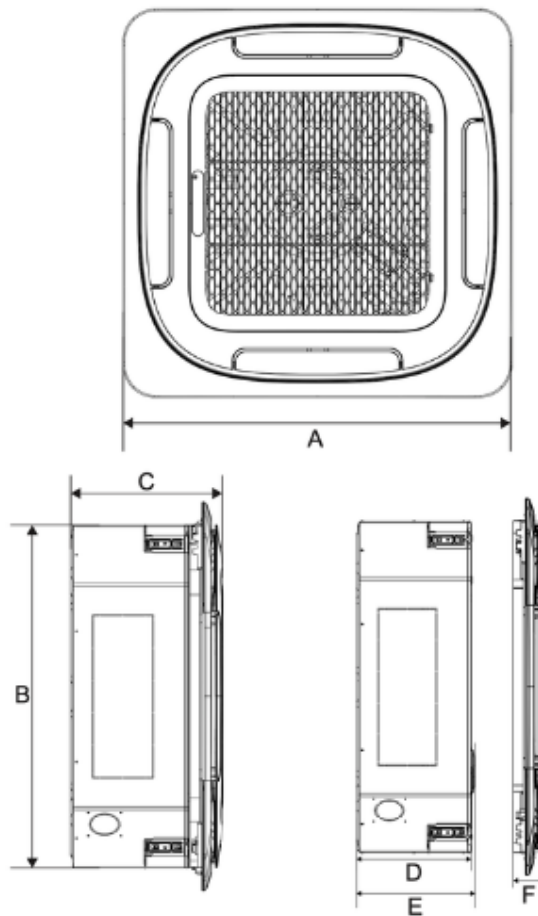


AB-TS09LS-230VO + AB-TS09CT-230VI

Outdoor Model		AB-TS09LS-230VO	
Power supply	V, Ph, Hz	208-230, 1PH, 60HZ	
Min. circuit ampacity	A	10	
Max. fuse	A	15	
Compressor	Model	KSN98D31UEZA31	
	Type	Rotary	
	Brand	GMCC	
	Capacity	Btu/h	10304
	Input	w	778
	Rated current (RLA)	A	0.15
	Refrigerant oil	oz	9.47
Outdoor fan motor	Qty	1	
	Input	w	33
	RLA	A	0.15
	Speed	r/min	1000
Outdoor air flow (Max)	CFM	659	
Outdoor noise level (Max)	dB(A)	53	
Throttle type	Capillary		
Outdoor unit	Dimensions (WxDxH)	inch	31"×11 -3/8"×19 -5/8"
	Packing (WxDxH)	inch	32 -1/4"×12 -3/4"×20 -1/4"
	Net/Gross weight	inch	50.7
Refrigerant	Type	R32	
	Precharge	ft	25
Additional charge for 1/4 inch liquid pipe	oz	0.11	
Additional charge for 3/8 inch liquid pipe	oz		
Refrigerant piping	Liquid side/Gas side	inch	1/4" 3/8"
	Max. pipe length	ft	49
	Max. difference in level	ft	33
Ambient temperature	Cooling	F	5~127
	Heating	F	-4~75



AB-TS09LS-230VO + AB-TS09CT-230VI

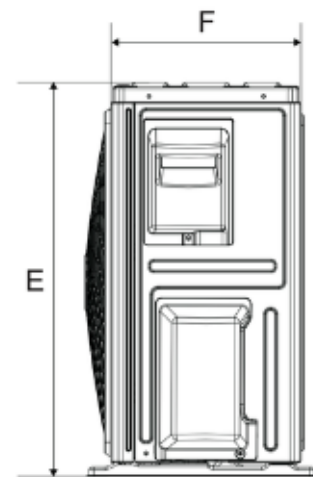
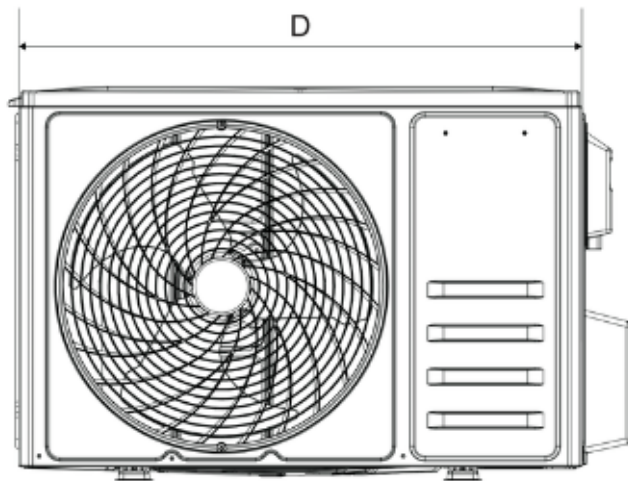
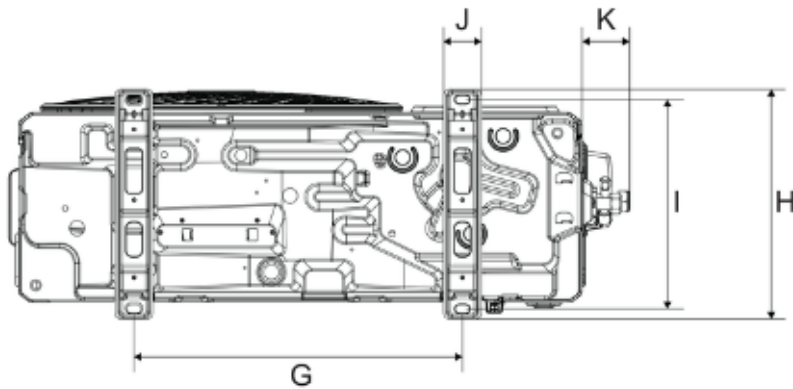


Unit: mm/in.

Model	Indoor unit					
	A	B	C	D	E	F
9-18K	650/25.6	570/22.4	303/11.9	245/9.6	255/10.0	61/2.4
24K	950/37.4	838/32.9	327/12.9	245/9.6	254/10.0	82/3.2



AB-TS09LS-230VO + AB-TS09CT-230VI



Unit: mm

Model	Outdoor unit							
	D	E	F	G	H	I	J	K
9K	721	498	240	415	290	263	48	59
12K	742	551	257	434	305	278	48	59
18K	794	602	292	516	349	314	54	58
24K	843	700	330	586	375	348	59	48

Unit: in

Model	Outdoor unit							
	D	E	F	G	H	I	J	K
9K	28.4	19.6	9.44	16.3	11.4	10.4	1.9	2.3
12K	29.2	21.7	10.1	17.1	12.0	10.9	1.9	2.3
18K	31.2	23.7	11.5	20.3	13.7	12.4	2.1	2.3
24K	33.1	27.5	13.0	23.1	14.8	13.7	2.3	1.9