

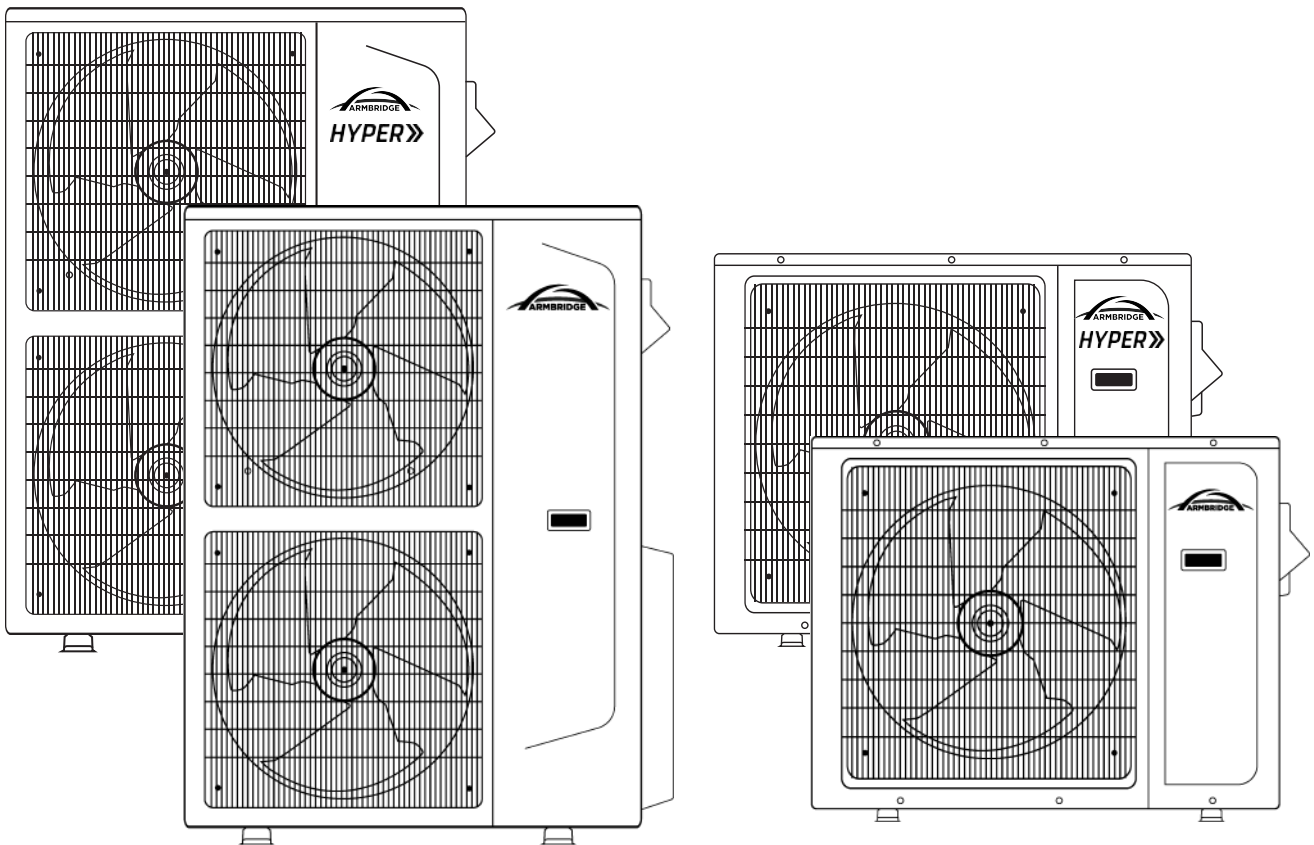


OWNER'S MANUAL

**MULTI-ZONE REGULAR AND HYPER
OUTDOOR UNITS**

MODELS

**AB-GTMR18-230VO
AB-GTMR24-230VO
AB-GTMR30-230VO
AB-GTMR36-230VO
AB-GTMR42-230VO
AB-GTMH18-230VO
AB-GTMH24-230VO
AB-GTMH36-230VO
AB-GTMH42-230VO**



Please read this manual carefully and thoroughly before installing the unit.
Take care of this manual for future reference.

CONTENTS

SAFETY PRECAUTION	1
NOTICES FOR USAGE	4
COMPONENT NAME	5
NOTICES OF INSTALLATION	6
INSTALLATION OF THE OUTDOOR UNIT	8
ELECTRICAL CONNECTIONS	14
TESTING AND INSPECTION	16
FAULT CODE	17
MAINTENANCE NOTICE	23

Note:

- All the illustrations in this manual are for explanation purpose only.
- Your air conditioner may be slightly different. The actual shape shall prevail.
- They are subject to change without notice for future improvement.

SAFETY PRECAUTION

NOTE: FCC and IC related content only applies to models with WiFi function.

※ FCC WARNING

WARNING: Changes or modifications to this unit not expressly approved by the party responsible for compliance could void the user's authority to operate the equipment.

※ FCC STATEMENT

This device complies with Part 15 of the FCC Rules. Operation is subject to the following two conditions:

(1) this device may not cause harmful interference, and (2) this device must accept any interference received, including interference that may cause undesired operation.

NOTE: This equipment has been tested and found to comply with the limits for a Class B digital device, pursuant to part 15 of the FCC Rules. These limits are designed to provide reasonable protection against harmful interference in a residential installation. This equipment generates, uses and can radiate radio frequency energy and, if not installed and used in accordance with the instructions, may cause harmful interference to radio communications. However, there is no guarantee that interference will not occur in a particular installation. If this equipment does cause harmful interference to radio or television reception, which can be determined by turning the equipment off and on, the user is encouraged to try to correct the interference by one or more of the following measures:

- Reorient or relocate the receiving antenna.
- Increase the separation between the equipment and receiver.
- Connect the equipment into an outlet on a circuit different from that to which the receiver is connected.
- Consult the dealer or an experienced radio/TV technician for help.

※ IC STATEMENT

This device complies with Industry Canada licenceexempt RSS standard(s).

Operation is subject to the following two conditions: (1) this device may not cause interference, and (2) this device must accept any interference, including interference that may cause undesired operation of the device.





Le présent appareil est conforme aux CNR d'Industrie Canada applicables aux appareils radio exempts de licence.

L'exploitation est autorisée aux deux conditions suivantes : (1) l'appareil ne doit pas produire de brouillage, et (2) l'utilisateur de l'appareil doit accepter tout brouillage radioélectrique subi, même si le brouillage est susceptible d'en compromettre le fonctionnement.

※ IC STATEMENT

This equipment complies with FCC's and IC's RF radiation exposure limits set forth for an uncontrolled environment. The antenna(s) used for this transmitter must be installed and operated to provide a separation distance of at least 7.87in(20cm) from all persons and must not be collocated or operating in conjunction with any other antenna or transmitter. Installers must ensure that 7.87in(20cm) separation distance will be maintained between the device (excluding its handset) and users.

Cet appareil est conforme aux limites d'exposition au rayonnement RF stipulées par la FCC et l'IC pour une utilisation dans un environnement non contrôlé. Les antennes utilisées pour cet émetteur doivent être installées et doivent fonctionner à au moins 7.87in(20cm) de distance des utilisateurs et ne doivent pas être placées près d'autres antennes ou émetteurs ou fonctionner avec ceux-ci. Les installateurs doivent s'assurer qu'une distance de 7.87in(20cm) sépare l'appareil (à l'exception du combiné) des utilisateurs.

Symbol	Note	Explanation
 A2L	WARNING	This symbol shows that this appliance uses a flammable refrigerant. If the refrigerant is leaked and exposed to an external ignition source, there is a risk of fire. (Only for the AC with UL or ETL-MARKING, UL60335-2-40)
	CAUTION	This symbol shows that the operation manual should be read carefully.
	CAUTION	This symbol shows that a service personnel should be handling this equipment with reference to the installation manual.
	CAUTION	This symbol shows that information is available such as the operating manual or installation manual.

SAFETY PRECAUTION

NOTE:

The Air conditioner with R32 refrigerant, if roughly treated, may cause serious harm to the human body or surrounding things.

- The room space and maximum refrigerant charge requirements are shown in the table to the right.
- If ice has formed on the unit, do not use means to accelerate the defrosting process other than those recommended by the manufacturer.
- Do not use any cleaners on the unit other than what's approved by the manufacture
- Do not pierce or burn air conditioner and ensure that the refrigerant pipeline is not damaged.
- The appliance must be stored in a room without continuously operating ignition sources (for example: open flames, an operating gas appliance or an operating electric heater).
- Notice that the refrigerant may be odorless.
- The storage of the air conditioner should be in a location that's able to prevent unintentional damage to the unit.
- Be sure to follow all local codes and safety requirements.

Room Space and Maximum Refrigerant Charge Requirements

Refrigerant Type	Allowable Refrigerant Charge Amount, (oz(kg))	Min. Floor Area For Installation, (ft ² (m ²))
R32	< 64.9 (< 1.84)	75.35 (7)
	64.9~82.54 (1.84~2.34)	96.88 (9)
	82.58~100.18 (2.341~2.84)	113.02 (10.5)
	100.21~117.82 (2.841~3.34)	134.55 (12.5)
	117.85~135.45 (3.341~3.84)	150.69 (14)
	135.49~153.09 (3.841~4.34)	193.75 (18)

Incorrect installation or operation by not following these instructions may cause harm or damage to people, properties, etc. The seriousness is classified by the following indications:

⚠ WARNING

This symbol indicates the possibility of death or serious injury.

⚠ CAUTION

This symbol indicates the possibility of injury or damage to properties.

⚠ WARNING

This appliance is not intended for use by persons (including children) with reduced physical, sensory or mental capabilities, or lack of experience and knowledge, unless they have been given supervision or instruction concerning use of the appliance by a person responsible for their safety.

Children should be supervised to ensure that they do not play with the appliance.

- Don't connect the ground wire to the gas pipeline, water pipeline, lightning rod, or telephone earth wire.
- The air conditioner must be grounded. Incomplete grounding may result in electric shocks.
- Do not pull the power cable. Pulling the power cable could result in damage to the unit and electrical shock.
- Always switch off the device and cut the power supply when the unit is not in use for long time so as to ensure safety.
- Don't cut off main power switch during operating or with wet hands. It may cause electric shock.
- Make sure that the system has its own dedicated electrical circuit and that all electrical work is conducted by an individual that is certified or licensed to do such work in the state or region in which the insulation is taking place.
- Always switch off the device and cut the power supply before performing any maintenance or cleaning, otherwise, it may cause electric shock or damage.
- Don't let the remote control or indoor unit get too wet. Exposure to excessive moisture may cause damage to the unit and or electrical shock.
- Don't install the air conditioner in a place where there is flammable gas or liquid unless the distance is equal to or greater than 3.28ft(1m) apart.
- Don't use any unapproved liquid or cleaning agent to clean the air conditioner.
- **WARNING: RISK OF ELECTRIC SHOCK. CAN CAUSE INJURY OR DEATH:**
System contains oversize protective earthing (grounding) terminal which shall be properly connected.
- **WARNING: RISK OF ELECTRIC SHOCK. CAN CAUSE INJURY OR DEATH:**
System contains two independent protective earthing (grounding) terminals which both shall be properly connected and secured.

SAFETY PRECAUTION

⚠ WARNING

- Don't attempt to repair the air conditioner by yourself. Incorrect repairs may cause fire or explosion.
- Contact a qualified service technician for all service requirements.
- Don't operate the air conditioner during a lightning storm. The power supply should be switched off to prevent danger or injury.
- Don't put hands or any objects into the air inlets or outlets. This may cause personal injury or damage to the unit.
- Please mount the system on a secure surface to prevent the unit from falling and causing injury or damage.
- Don't block air inlet or air outlet. Otherwise, the cooling or heating capacity will be diminished, or cause the system to stop operating.
- The appliance shall be installed in accordance with national wiring regulations.
- **If your air conditioner is not fitted with a supply cord and a plug, an all-pole switch must be installed in the fixed wiring and the distance between contacts should be no less than 0.12in (3.0 mm).**

This product contains fluorinated greenhouse gases.

- Refrigerant leakage will contribute to climate change.
- Never tamper with the refrigerant system or attempt repair without proper training and compliance to local and national codes.
- The refrigerant in this system has a lower global warming potential (GWP) than a refrigerant with higher GWP, if leaked to the atmosphere. This appliance contains a refrigerant fluid with a GWP equal to [675]. This means that if 35 oz (1kg) of this refrigerant fluid would be leaked to the atmosphere, the impact on global warming would be [675] times higher than 35 oz (1kg) of CO₂, over a period of 100 years.

Ensure the following objects are not under the indoor unit:

- Microwaves, ovens and other hot objects.
- Computers and other high electrostatic appliances.
- Electrical sockets.
- Items susceptible to water damage.

The piping between indoor and outdoor unit shall not be reused, unless they can be properly flushed and re-flared.

The specifications for electrical requirements are listed on the data plate of the unit.

⚠ CAUTION

- Don't operate the system with windows or doors open. Doing so will limit the system effectiveness.
- Don't stand on the top of the outdoor unit or place heavy objects on it. This could cause personal injuries or damage to the unit.
- Don't use the system for other purposes, such as drying clothes, preserving foods, etc.
- Appropriate adjustments of the setting temperature can prevent the waste of electricity.

Regarding the installation of the air conditioners, please refer to the below paragraphs in this manual.

E-Waste

Disposal requirements:

- Don't dispose of electrical appliances as unsorted municipal waste, use separate collection facilities.
- Contact your local government for information regarding the collection systems available.
- If electrical appliances are disposed of in landfills or dumps, hazardous substances can leak into the groundwater and get into the ground water and food chain, damaging your health and well-being. Always follow local codes for disposal of e-waste.



NOTICES FOR USAGE

Operating range

- Operating the unit outside the recommended temperature range may have an impact on the system performance.
- When the temperature is too high, the air conditioner may trip the circuit breaker causing the air conditioner to shut down.
- When the temperature is too low, the outdoor heat exchanger may generate excessive moisture, leading to water dripping from unit.
- In long-term cooling or dehumidification with a relative humidity of above 80%, doors and windows should be closed to prevent the indoor unit from generating too much water and causing leaks.

Range	Indoor	Outdoor
Cooling	60.8~89.6°F (16~32°C)	-13~125.6°F (-25~52°C)
Heating	50~89.6°F (10~32°C)	-13~75.2°F (-25~24°C)

Notes for heating

- The fan of the indoor unit will not start immediately when the heating cycle has started. The unit will warm up and then start blowing air to avoid blowing out cool air.
- When it is cold and wet outside, the outdoor unit will develop frost over the heat exchanger which over time will cause the system to start the defrost function.
- During defrost, the air conditioner will stop heating for about 5-12 minutes.
- Vapor may come out from the outdoor unit during defrost. This is not a malfunction, but a result of fast defrost.
- Heating will resume after defrost is complete.

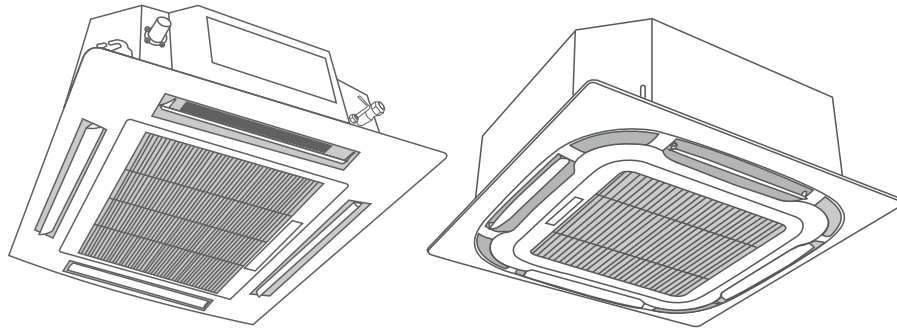
Notes for turning off

- When the air conditioner is turned off, the main controller will automatically decide whether to stop immediately or after running for dozens of seconds with lower frequency and lower air speed.

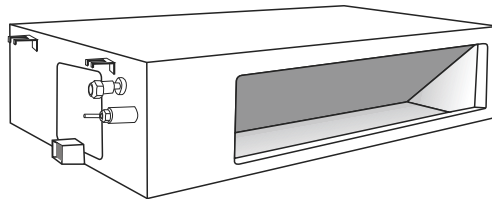
COMPONENT NAME

Indoor Unit:

Ceiling cassette split air conditioner unit



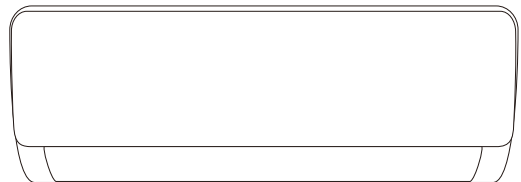
Duct Type



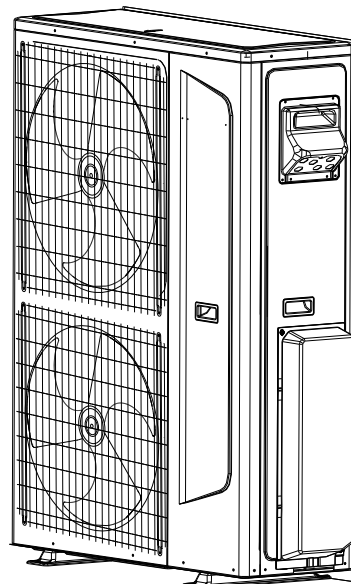
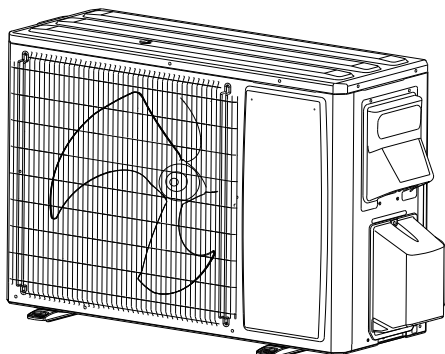
Ceiling & Floor Air Conditioner Unit



Wall Mounted Air Conditioner Unit



Outdoor Unit:



NOTICES OF INSTALLATION

⚠ Important Notices

- This unit must be installed by a certified contractor to avoid:
- Damage to the unit
- Refrigerant leaking into the atmosphere
- Electrical shock
- Burns from refrigerant
- Other serious injury to include death
- Leak test must be made after installation.
- To move and install air conditioner to another place, please contact our local authorized contractor.

Unpacking Inspections

- Open the box and check air conditioner in area with good ventilation and without ignition source.
- Note: Operators are required to wear anti-static devices
- It is necessary to check whether there is refrigerant leakage before opening the box of outdoor machine; stop installing the air conditioner if leakage is found.
- The fire prevention equipment shall be prepared well before checking.
- Then check the refrigerant pipeline to see if there is any damage or leaks.

Safety Principles for Installing Air Conditioner

- Fire prevention device shall be prepared before installation.
- Keep installing site ventilated.(open the door and window)
- Ignition source, smoking and calling is not allowed to exist in area where R32 refrigerant located.
- Anti-static precautions in necessary for installing air conditioner, e.g. wear pure cotton clothes and gloves.
- Keep leak detector in working state during the installation.
- If R32 refrigerant leakage occurs during the installation, you shall immediately detect the concentration in indoor environment until it reaches a safe level.
- If refrigerant leakage affects the performance of the air conditioner, please immediately stop the operation, and the air conditioner must be vacuumed firstly and be returned to the maintenance station for processing.
- Keep electric appliance, power switch, plug, socket, high temperature heat source and high static away from the area underneath sidelines of the indoor unit.
- The air conditioner shall be installed in an accessible location to installation and maintenance, without obstacles that may block air inlets or outlets of indoor /outdoor units, and shall keep away from heat source, inflammable or explosive conditions.
- When installing or repairing the air conditioner and the connecting line is not long enough, the entire connecting line shall be replaced with the connecting line of the original specification; extension is not allowed.

Requirements for installation position

- Avoid places of flammable or explosive gas leakage or where there is poor ventilation.
- Avoid places subject to strong electric/magnetic fields like microwaves and florescent lights.
- Avoid places like subject to noise and resonance like walls above a sleeping area.
- Avoid severe natural conditions (e.g. strong wind, direct sunshine or high temperature heat sources).
- Avoid places within the reach of children.
- Shorten the connection between the indoor and outdoor units as much as possible for best performance.
- Select a location where it is easy to perform service and repair.
- The outdoor unit shall not be installed in any way that could occupy an aisle, stairway, exit, fire escape, catwalk or any other public area.
- The outdoor unit shall be installed as far as possible from the doors and windows of the neighbors as well as plants.

Installation environment inspections

- Check nameplate of outdoor machine to make sure whether the refrigerant is R32.
- Check the floor space of the room. The space shall not be less than usable space in the specification.
- The outdoor unit shall be installed at a well-ventilated place.
- Check the surrounding environment of installation site: R32 shall not be installed in the enclosed reserved space of a building.
- When using electric drill to make holes in the wall, check first whether there is pre-buried pipeline for water, electricity and gas. It is suggested to use the reserved hole in the roof of the wall.

NOTICES OF INSTALLATION

Requirements of the mounting structure

- The mounting rack must meet the relevant national or industrial standards
- It is recommended that the mounting rack and its load carry surface shall be able to withstand 4 times or above the weight of the unit.
- The mounting rack of the outdoor unit shall be fastened with expansion bolts or as recommended by the manufacture.
- Ensure the secure installation regardless of what type of wall on which it is installed, to prevent potential dropping that could cause damage or injury.

Requirements for operations at raised height

- When carrying out installation at 6.6ft (2m) or higher above the base level, safety belts must be worn and ropes of sufficient strength be securely fasten to the outdoor unit, to prevent falling that could cause personal injury or death as well as property loss.

Others

- The connection method of the air conditioner and the power cable and the interconnection method of each independent element shall be subject to the wiring diagram affixed to the machine.
- The model and rating value of the fuse shall be subject to the silkscreen on corresponding controller or fuse sleeve.

Accessories

Read these Safety Considerations carefully before installing the drain pan heater.
After completing the installation, check if the unit operates properly during the start-up operation.

Field-supplied Parts

Name	Quantity	Unit
Electrical wiring	1*N	Set
Connecting pipes	2*N	PC
Plastic Strap	1*N	ROLL
Pipe Protection Ring	1*N	PC
Putty	1*N	PACKET
N: Number of indoor unit		

NOTE: Interconnection cord and sound deadening pads is optional accessories.

Tools Required

Phillips screwdriver	Level	Refrigerant Scale
Utility knife or scissors	Torque wrench	Wrench (or spanner)
Clamp on Amp Meter	Hole Saw	Manifold and Gauges
Hexagonal Wrench	Flare tool	Pipe Cutter
Vacuum Pump	Safety Glasses	Work Gloves

INSTALLATION OF THE OUTDOOR UNIT

Attention to Installation site of outdoor unit

⚠ Caution

- The installation place must be well-ventilated, so that the unit can move enough air to operate correctly.
- The installation place must be enough firm to support the weight of outdoor unit and can isolate noise and vibration.
- Avoid direct sunlight, and if necessary a sun shelter should be mounted.
- The installation place should allow for the drainage of rainwater and water produced during defrosting.
- The installation place should prevent the unit from getting buried in a snowdrift.
- The unit should not be installed so that the fan blows into strong winds.
- Ensure that neither the air from the outdoor unit nor noise produced by it will affect the neighbours
- The unit must not be in a position where people will pile rubbish on to it or where it will be affected by exhaust gases
- In order to ensure the use effect, the external machine is not allowed to be installed in the basement or other closed rooms.

Installation guide at the seaside

1. Air conditioners should not be installed in areas where corrosive gases, such as acid alkaline gas, are produced.
2. Do not install the product where it could be exposed to direct salt air.

Sea air exposure can result in corrosion on the unit. Corrosion, particularly on the condenser and evaporator fins, could cause product malfunction, inefficient performance, and refrigerant leaks.

3. If the outdoor unit is installed close to the seaside, it should avoid direct exposure to the sea wind. Otherwise, it may need additional anticorrosion treatment.

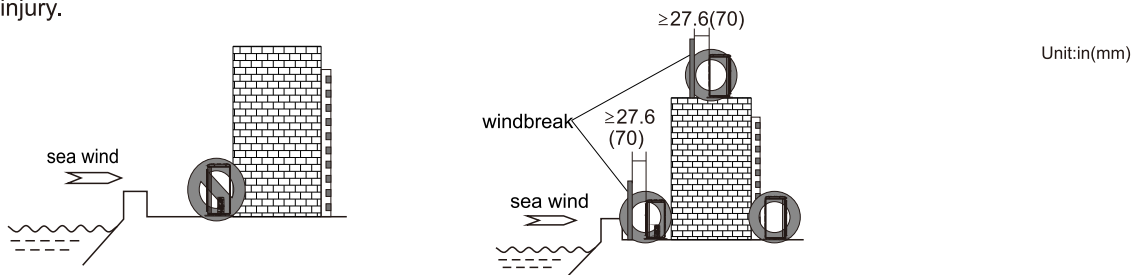
• Selecting the location (outdoor unit)

- The windbreak should be strong enough like concrete to prevent the sea wind from hitting the unit. The height and width should be more than 150% of the outdoor unit.

4. Select a well-drained place. Install the outdoor unit on the opposite side of the direction of the sea wind, or set up a windbreak to avoid exposure to the sea wind.

Seaside applications will require more frequent maintenance checks and cleaning. Be sure to keep the system free of salt build up by washing the unit with clean water at low pressure.

- The unit should be kept more than 27.6 in (70cm) from the windbreak for easy air flow.
- The mounting rack of the outdoor unit shall be fastened with expansion bolts or as the manufacture recommends.
- If installing on a wall, ensure the secure installation regardless of the type of to prevent potential dropping that could damage the unit or cause injury.



Where you install the outdoor unit will have a direct affect upon its performance.

In order for the outdoor unit to operate at its best you should carefully follow these instructions. In particular its important to prevent discharge air to return to the rear of the unit. This should be avoided as this will significantly reduce the cooling and heating performance.

1. The discharge air which is expelled from the front of the unit should not be allowed to immediately enter the return inlet of the back of the unit.
2. Ensure there is ample space in front of the unit will help prevent this from happening.
3. Ensure the unit is installed on a level surface and that there is plenty of room to service the equipment. Do not allow a slope of more than 5°.

The following figures show the right installation and wrong installation :

Wrong installation			
Right installation			

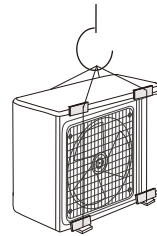
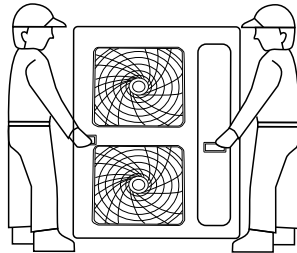
INSTALLATION OF THE OUTDOOR UNIT

Correct installation

Caution :

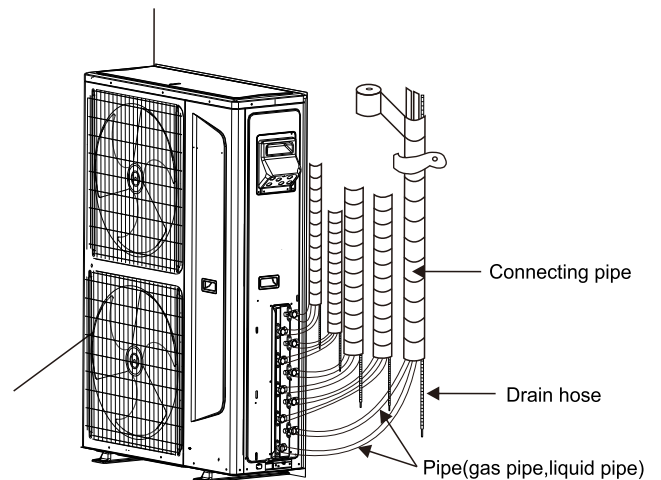
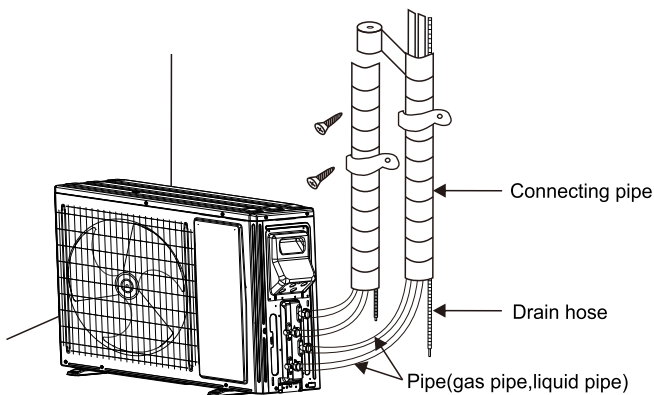
When unpacking, open the carton, please remove the packing foam first, then take out the air conditioner.

- Do not touch the heat exchanger at the rear of the indoor unit with your hands or any other object!
- Handling with the handle and side angle, please handle with care, Do not drop the unit or allow it to fall during transport.
- When the outdoor unit is to be lifted, please use two slings longer than 26.25ft(8m) and insert cushioning material between the slings and outdoor unit to avoid damaging the casing.

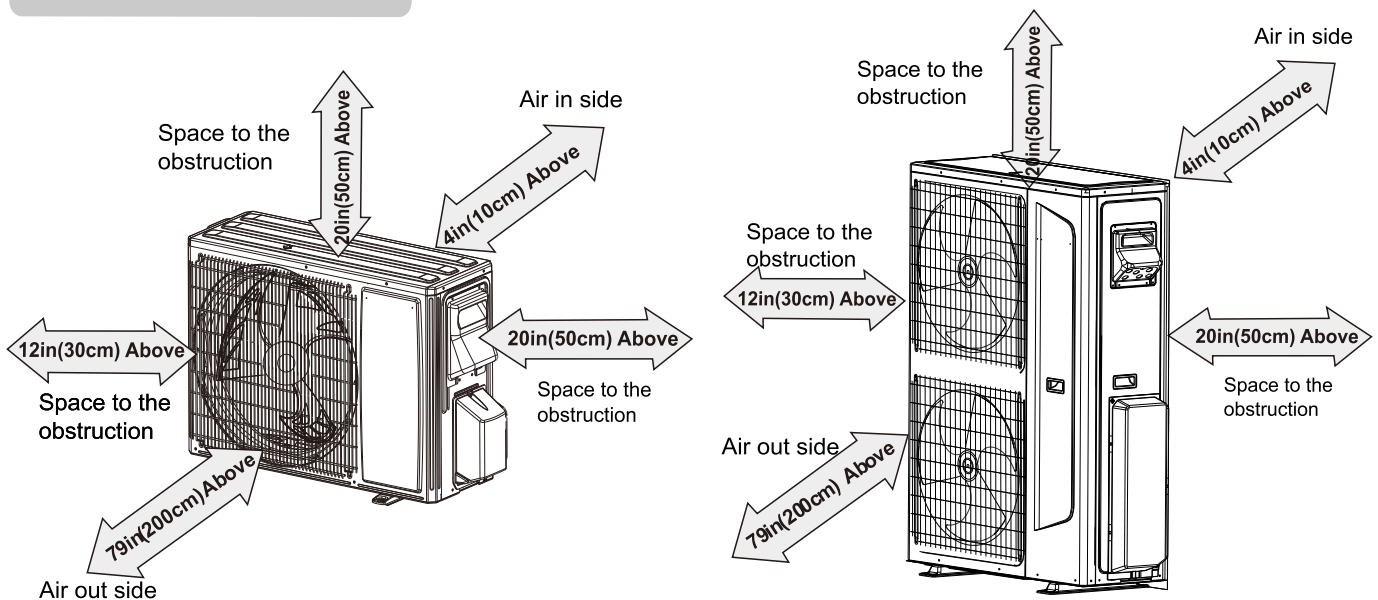


Installation drawing

This installation chart is for reference only

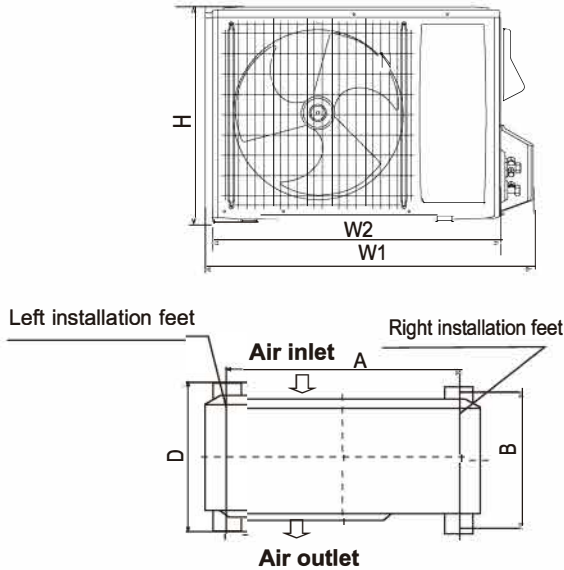


Select installation site



INSTALLATION OF THE OUTDOOR UNIT

Outdoor unit dimensions



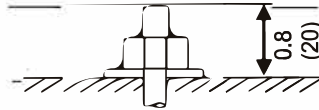
Outdoor Unit Size

W1 (W×D×H) in
34.65×13.90×21.93
38.58×15.28×27.56
41.18×17.91×31.81
39.80×15.75×51.97

Installation

1. Install a drainage channel to allow the condensate to flow smoothly away.
2. During installation please ensure that the foundations are secure and level to avoid vibration and noise.
3. Please bolt (M8 or M10) the outdoor unit down securely.
4. The bolts for connecting the outdoor unit should protrude 0.79in (20mm) above the surface of the base.
5. Do not just use the four corners as a foundation to support the unit.

Unit: in(mm)

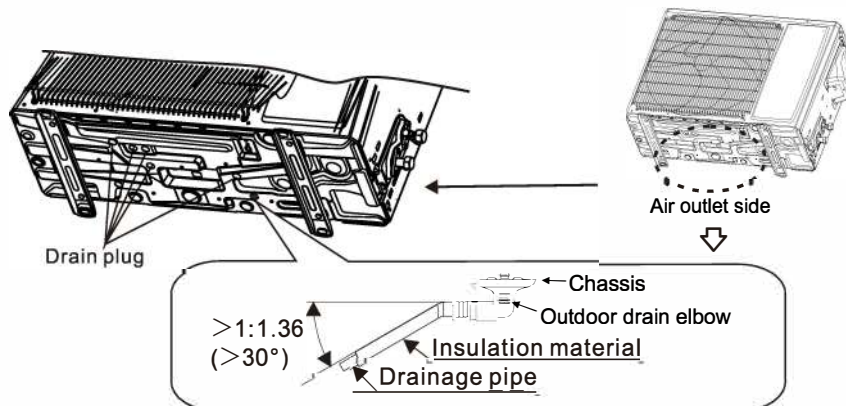


Outdoor condensation drainage (Heat pump type only)

When the unit is in heating mode, the outdoor unit can generate water that will drip from the bottom of the unit. To control the flow of that water, please use the provided drain elbow.

Installation :

1. Install the drain elbow in the 1in (Φ25mm) hole on the bottom of the base plate, and connect the drain hose to the elbow. Route the hose to a location so that the water formed in the outdoor unit can be drained out to a proper location.
2. In cold areas, do not use a the drain elbow or drain plugs on the outdoor unit. Plugging the holes will cause ice to buildup in the base pan which could result in damage to the unit. In cold climates, make sure the unit has plenty of space to drain and avoid snow drifts.
3. The pipe should be installed with a downward gradient (>1/1.36) to allow the water to drain away.
4. The pipe should not rise at any point.



INSTALLATION OF THE OUTDOOR UNIT

Piping Works And Flaring Techniques

- Do not use contaminated or damaged copper tubing. If the evaporator, condenser, or any piping has been open and exposed to the atmosphere for 15 seconds or more, the system must be vacuumed. Do not remove plastic plugs or brass nuts from piping connections until the connections are ready to be made..
- If any brazing work is required, ensure that a nitrogen gas purge is utilized to prevent soot formation on the inside wall of copper tubing. Failure to do so may cause damage to the unit and void warranty.
- Cut the pipe as straight as possible (See Fig 1.). Make sure to use a deburring tool to remove any burrs. Hold the pipe with opening facing down to prevent metal chips from entering the pipe (See Fig2.).
- This will avoid unevenness on the flare faces which will cause gas leak.
- Insert the flare nuts, mounted on the connection parts of both the indoor unit and outdoor unit, into the copper pipes.
- The exact length of pipe protruding from the top surface of the swaging block is determined by the flaring tool. See Fig 3.
- Fix the pipe firmly on the swaging block. Match the centers of both the swaging block and the flaring punch, then tighten the flaring punch fully.
- The refrigerant pipe connection are insulated by closed cell polyurethane.

Fig 1.

Fig 2.

Fig 3.

Ø Tube, D	A(Inch/mm)		
	Inch	mm	Imperial(Wing-nut Type) / Rigid (Clutch Type)
1/4"		6.35	0.051" (1.3) / 0.028" (0.7)
3/8"		9.52	0.063" (1.6) / 0.039" (1.0)
1/2"		12.70	0.075" (1.9) / 0.051" (1.3)
5/8"		15.88	0.087" (2.2) / 0.067" (1.7)
3/4"		19.05	0.098" (2.5) / 0.079" (2.0)

Install the connection pipe

1.Connect the pipe to the unit

Align the center of the piping and tighten the flare nut sufficiently with fingers. See Fig 4.

Finally, tighten the flare nut with torque wrench until the wrench clicks.

When tightening the flare nut with the torque wrench, ensure that the tightening direction follows the arrow indicated on the wrench.

The refrigerant pipe connection are insulated by closed cell polyurethane.

Fig 4.

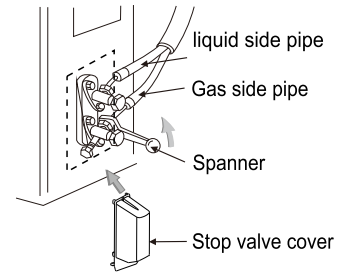
Tightening torque table

The size of pipe ,in(mm)	Torque,ft-lb(N·m)
Ø1/4" (Ø6.35)	11.0-18.4 (15-25)
Ø3/8" (Ø9.52)	25.8-29.5 (35-40)
Ø1/2" (Ø12.7)	33.2-44.3 (45-60)
Ø5/8" (Ø15.88)	53.9-57.6 (73-78)
Ø3/4" (Ø19.05)	55.3-59.0 (75-80)

INSTALLATION OF THE OUTDOOR UNIT

Note:

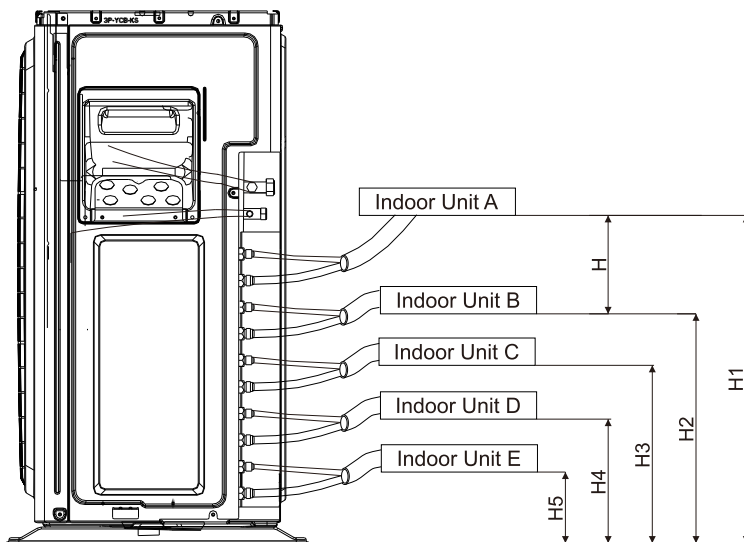
- Carefully check if there is any damage of joints before installation.
 - The joints shall not be reused, unless after re-flaring the pipe.
 - When the length of the connecting pipe is changed, extra amount of refrigerant need to be added, so that the operation and performance of the air conditioner will not be compromised.
 - After installation, check the stop valve cover whether be fixed effectively.
- Wrap up all pipe, water discharge and connection wire from top to below.
 - Cover the connection and fix them with two plastic rings.



Selection of the installing position

You can adjust the vertical location of indoor and outdoor units according to the installation requirement.

If the outdoor unit is installed higher than indoor units and H1, H2, H3, H4, H5 > 23.0 ft (7m), please set the oil bend every 9.84 ft (3m) on the vertical gas pipe. In other cases don't need to install oil bend.

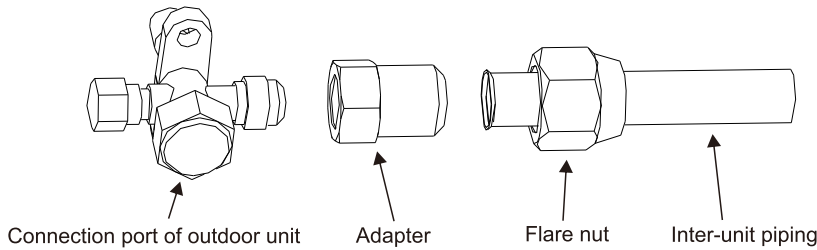


Pipe length and height difference

Series		18K	24K	30K/36K/42K
Operating conditions	Cooling operation	-13~125°F (-25~52°C)		
	Cooling operation	-13~75°F (-25~24°C)		
Pipe size	Liquid pipe size in(mm)	Ø1/4" (Ø6.35)		
	Gas pipe size in(mm)	Ø3/8" (Ø9.52)		
Connecting pipe length	Min.length for 1unit (ft)(m)	16(5)	16(5)	16(5)
	Max.length for 1unit (ft)(m)	82(25)	82(25)	82(25)
	Max.length difference between indoor units(ft)(m)	$L1+L2 \leq 131(40)$	$L1+L2+L3 \leq 197(60)$	$L1+L2+L3+L4(+L5) \leq 263(80)$
	Max.height difference between indoor units (ft)(m)	33(10)	33(10)	33(10)
	Max.height difference between indoor and outdoor unit (ft)(m)	49(15)	49(15)	49(15)
Refrigerant to be added	Average liquid pipe length of indoor units less than (24.6ft) (7.5m)	No refrigerant is required		
	Average liquid pipe length of indoor units more than (24.6ft)(7.5m)	0.16oz/ft(15g/m)		
		0.16oz/ft(Total liquid pipe length-7.5*N)N: Number of indoor unit		

INSTALLATION OF THE OUTDOOR UNIT

When the adapter is required for the connection of indoor unit and outdoor unit ,the method of pipe connection as follows :



The size of adapters ,inch(mm)	
①	Ø3/8" (Ø9.52) → Ø1/2" (Ø12.7)
②	Ø3/8" (Ø9.52) → Ø5/8" (Ø15.88)

The line set piping size is determined by the size of the indoor unit fittings.
Use the adapter supplied with the unit as described below.

The indoor unit models	The size of adapters	Quantity
09/12K	No need	Number of indoor unit
18K	①	
24K	②	

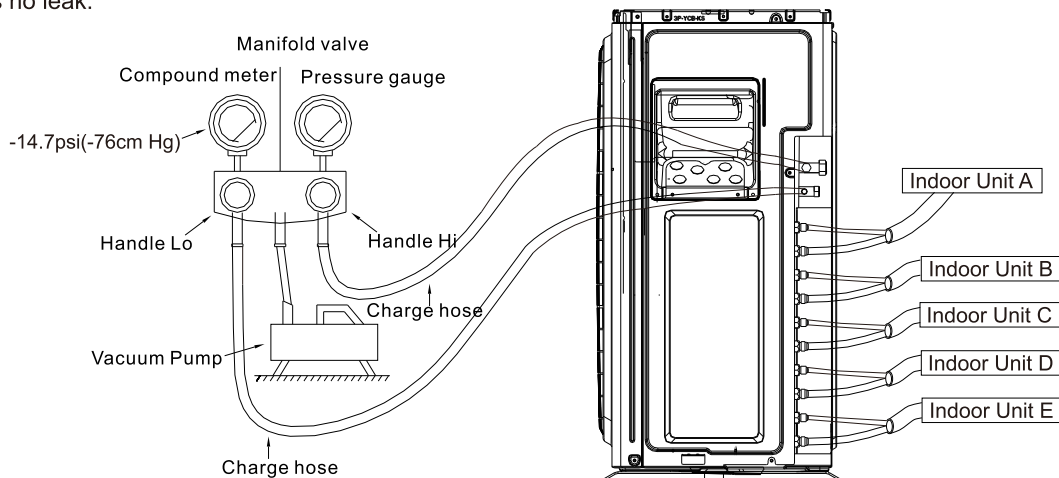
Expelling the air in the pipes and the indoor unit

R32 refrigerant must use a vacuum pump to perform the vacuumizing process. Do not use refrigerant gas to discharge air.

Choose Method A or B according to the actual situation of the outdoor unit.

Method A:

- 1.Connect the pipes of indoor units and outdoor unit according to the figure below, and tighten all the bell coupling nuts of indoor and outdoor to prevent leakage.
- 2.Connect the cut-off valves, charge hose, manifold valve, vacuum pump as the figure below.
- 3.Please fully open the manifold valve handle Lo and Hi, and do the vacuum processing, vacuum should be running more than 15 minutes, make sure the vacuum gauge indicates the pressure has reached-14.7psi (-76cmHg);
- 4.After completion of vacuum processing, use the hex wrench to open a little the liquid valve of unit A and unit B, and then quickly remove the hose of gas valve (remove the hose to prevent air from entering the system);
- 5.Open all the cut-off valve and check the connecting mouth of indoor and outdoor, then cover the cut-off valves after confirm there is no leak.

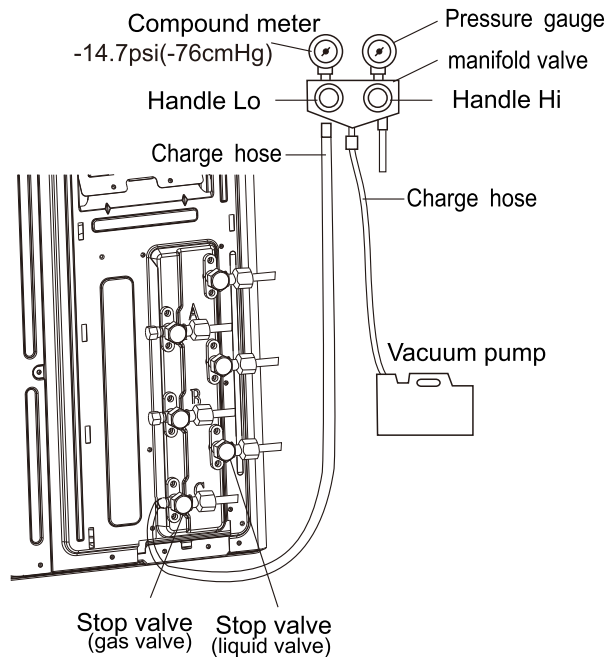


INSTALLATION OF THE OUTDOOR UNIT

Method B:

Before working on the air conditioner, remove the cover of the stop valve (gas and liquid valves, be sure to retighten it afterward to prevent the potential air leakage).

1. To prevent air leakage, make sure all flares are properly connected and torqued.
2. Connect the stop valve, charge hose, manifold valve, and vacuum pump to the unit.
3. Fully open the handle of the manifold valve and apply vacuum for at least 15 minutes and check that the compound vacuum gauge reads -14.7psi (-76cmHg).
4. After applying vacuum, fully open the stop valve with a hex wrench.
5. Check that both indoor and outdoor connections are free of air leakage.



ELECTRICAL CONNECTIONS

Electrical Safety Requirements

- Be sure to use the correct rated voltage for the air conditioner and a dedicated circuit for the power supply,
- Follow local and national codes for the correct power cable AWG.
- The operating range is 90%-110% of the local rated voltage. But insufficient power supply malfunction, electrical shock, or fire. If the voltage instability, proposed to increase the voltage regulator.
- The minimum clearance between the air conditioner and the combustibles is 4.9ft (1.5m) or greater.
- Use the correct wire size and type for connecting the indoor unit to the outdoor unit.
- The size of the interconnection cord, power cable, fuse, and switch needed is determined by the maximum current of the unit.
- The maximum current is indicated on the nameplate located on the side panel of the unit. Refer to this nameplate to choose the right wire size, breaker, or switch.

Warning

- All electrical works must be carried out & checked by a qualified electrician and must adhere to the IET regulations, local and national legislation and industry best practice. The system must have its own independent power supply.
- Do not attempt any electrical works yourself.
- An Earth Leakage Protector, Power Switch and Circuit Breaker or Fuse must be installed in the dedicated power supply or there is the risk of electric shock.
- The grounding must be reliable. If grounding is not correct, it may lead to electric shock.
- All power cables should be properly secured with cable ties so that external forces can not disconnect the wired from the terminals. Improper connections or insecure fastening can cause electric shocks or fire.

ELECTRICAL CONNECTIONS

⚠ Caution

- Do not connect the earth cable to gas or water pipes, telephone lines, lightning rods or the earth cables of other products.
- Once the indoor and outdoor unit have been switched on, do not cut off power off power supply in 1 minute, (the system automatically set) otherwise abnormal operation will be caused.
- Please connect the power cord and interconnecting cable according to the wiring diagram.
- Connect the wire firmly to the terminal block using crimps and secure in order to prevent external forces pulling on the wire causing risk of fire or electric shock.
- After the electrical connection is completed, all wires should be prevented from touching other parts such as tubing, compressor etc.

⚠ Note

- The definition of power cord is the power supply cable from the isolating switch attached to the dedicated power supply to the indoor unit or outdoor unit. Interconnecting cable for the indoor and outdoor unit is the power cable that connects indoor unit and outdoor unit.
- Above-mentioned definitions are the specifications of power supply, power cord and interconnecting cable of indoor unit and outdoor unit of all different types of air conditioners.
- To avoid voltage drops, when the cross sectional area of a power cable core reaches the minimum size, and the power cord is lengthened, you should choose another bigger power cable size.

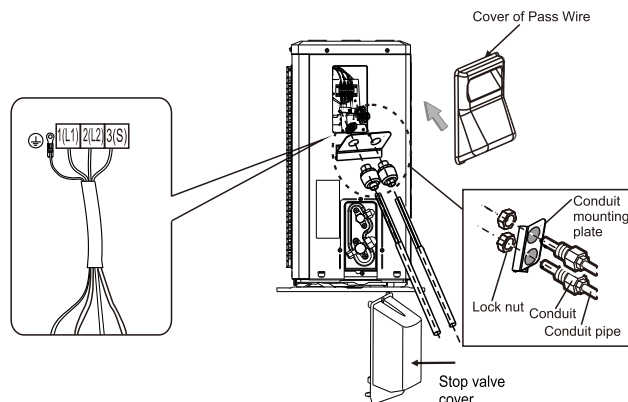
Selection of electrical parts

The wiring cable specification that is needed in the installation :

Model	Power line(AWG)	Power connection line(AWG)	Switch/fuse nominal value (A)	Certification Type
18K	3*12	4*18	30/5	UL
24K				
30K	3*10			
36K				
42K				

Wiring connection

- Open the outdoor unit electrical access panel and connect cables according to the circuit diagram on the backside of the access panel. And check all cables are connected safely, securely and correctly. Earth wire must be connected at the right location
1. Loosen the screws and remove E-parts cover from the unit.
 2. Connect the cables respectively to the corresponding terminals of the terminal board of the outdoor unit (see the wiring diagram), and if there are signals connected to the plug, just conduct butt joint.
 3. Ground wire: Remove the grounding screw out of the electric bracket, cover the grounding wire end onto the grounding screw and screw it into the grounding hole.
 4. Fix the cable reliably with fasteners (Pressing board).
 5. Put the E-parts cover back in its original place and fasten it with screws.

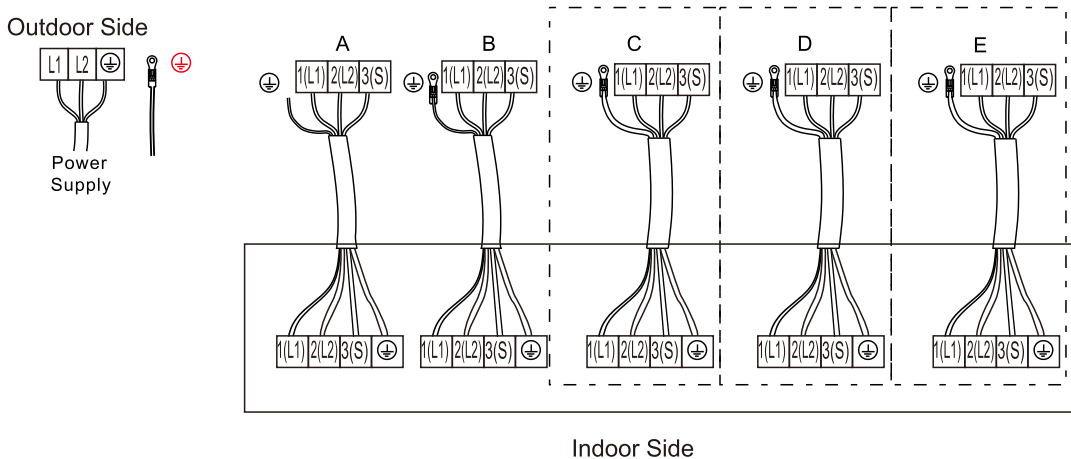


ELECTRICAL CONNECTIONS

Connection wire between indoor and outdoor

The outdoor unit has three(AM2)/four(AM3)/five(AM4)/six(AM5) terminal boards, they are connected to power supply, the indoor unit A, the indoor unit B, the indoor unit C, the indoor unit D, the indoor unit E.

Specific connection method as shown below:



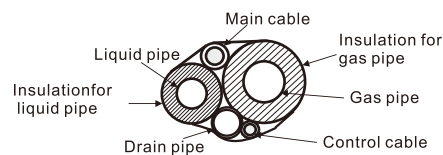
Note:

The PC board of outdoor unit whose power supply has phase sequence protection. Please pay attentions to it while connecting power cable.

After all connections have been made and checked, the pipework has been leak tested and charged and the drainpipe work tested then the pipes and cables should be bound together as follows.

1. Locate the drainpipe at the bottom along with the control cable
2. Place the insulated refrigerant pipes on top.
3. Place the mains cable on top of these
4. Bind carefully with tape.
5. Ensure the drainpipe is not damaged.

Caution: Do not squash the drainpipe during binding operation



TESTING AND INSPECTION

Check After Installation

● Electrical Safety Check

1. If the supply voltage is within tolerance.
2. If the indoor and outdoor units are properly wired.
3. If the grounding wire of the air conditioner is securely grounded.

● Installation Safety Check

1. If the unit is mounted properly and securely.
2. If the water drains smoothly from indoor unit to outdoor drain.
3. If the wiring and piping are correctly installed and free of leaks.
4. Check that no foreign matter or tools are left inside the unit.
5. Check the refrigerant pipeline and connections are properly insulated.

● Leak test of the refrigerant

Depending on the installation method, the following methods may be used to check for suspect leak, on areas such as the connections of the outdoor unit and the cores of the cut-off valves and t-valves:

1. Bubble method: Apply of spray a uniform layer of soap water over the suspected leak spot and observe carefully for bubble.
2. Instrument method: Checking for leak by pointing the probe of the leak detector according to the instruction to the suspect points of leak.

Note: Make sure that the ventilation is good before checking.

TESTING AND INSPECTION

Test Operation

• Test Operation preparation:

1. Verify that all piping and wiring is properly connected.
2. Confirm that the valve at the gas side and the liquid-side are fully open.
3. Verify that power is turned on to the unit.
4. Install batteries in the remote control.

Note: Make sure that the ventilation is good before testing.

• Test Operation method:

1. Turn on the power and push the ON/OFF switch button of the remote controller to start the air conditioner.
2. Select COOL or HEAT, adjust the SWING and other operation modes with the remote controller to verify proper operation.

FAULT CODE

Check the following before requesting on service centre of if the malfunction occurs.

Phenomenon	Troubleshooting																														
Air conditioner dose not operate at all	<ul style="list-style-type: none"> • Has the power been shut down? • Is the wiring loose? • Is the voltage higher than 1.1 times of max rated voltage or lower than 0.9 times of min rated voltage? • Is the fuse burnt? • Does it reach the set time for start up? 																														
Remote controller is not available	<ul style="list-style-type: none"> • Is the remote controller out of effective distance to the indoor unit? • Is the battery exhausted? • Are there any obstructions between the controller and the signal receptor? 																														
Cooling (Heating)efficiency is not good	<ul style="list-style-type: none"> • Is the setting temperature suitable? • Is the air inlet or outlet obstructed? • Are air filter dirty? • Is indoor fan speed set at low speed? • Is there any heat source in your room? 																														
Indoor unit does not operate immediatly when the air conditioner is restarted	Once the air conditioner is stopped, it will not operate in approximately 3 minutes to protect itself.																														
There is unusual smell blowing from the outlet after operation is started	This is caused by the odour in the room permeated from building material, furniture,or smoke.																														
Sound of water flow can be heard during cooling operation	This is caused by the refrigerant flowing insidethe unit.																														
Mist is emitted during cooling operation.	Because the air of the room is cooleddown rapidly by the cold wind and it looks likethe fog.																														
Mist is emitted during heating operation.	This generate due to moisture in defrosting process																														
A low hissing sound is caused by the refrigerant flowing.	<ul style="list-style-type: none"> • Low noise can be heard during operation • A low squeak sound is caused by the deformation of plastic due to temperature. 																														
Mode interfere For the reason that all indoor units use one outdoor unit, outdoor unit can only run with same model cooling or heating),so,when the mode you set is different from the mode, that outdoor is running with, mode interfere occurs. Following shows the mode interfere scene.	<table border="0"> <tr> <td></td> <td>cooling</td> <td>dry</td> <td>heating</td> <td>fan</td> <td></td> </tr> <tr> <td>cooling</td> <td>✓</td> <td>✓</td> <td>×</td> <td>×</td> <td>✓ --normal</td> </tr> <tr> <td>dry</td> <td>✓</td> <td>✓</td> <td>×</td> <td>×</td> <td>×</td> </tr> <tr> <td>heating</td> <td>×</td> <td>×</td> <td>✓</td> <td>✓</td> <td>×</td> </tr> <tr> <td>fan</td> <td>✓</td> <td>✓</td> <td>✓</td> <td>✓</td> <td>×</td> </tr> </table> <p>outdoor unit always run with the mode of first indoor unit that turned on. When the setting mode of following indoor unit is interfere with it,3 beeps would be heard, and the indoor unit interfered with the normal running units would turn off automatically</p>		cooling	dry	heating	fan		cooling	✓	✓	×	×	✓ --normal	dry	✓	✓	×	×	×	heating	×	×	✓	✓	×	fan	✓	✓	✓	✓	×
	cooling	dry	heating	fan																											
cooling	✓	✓	×	×	✓ --normal																										
dry	✓	✓	×	×	×																										
heating	×	×	✓	✓	×																										
fan	✓	✓	✓	✓	×																										

FAULT CODE

When the air conditioner fails, the LED light or digital tube on indoor display board will show the corresponding fault code according to different fault. For the unit with digital tube, it will show the corresponding fault codes; for the unit no digital tube only LED light, it will only show the corresponding fault codes with timer light.

Specific correspond is as follows:

Compact Cassette/Ceiling&Floor/Slim Duct/Console

Fault code	Fault description	Causes of possible failure
A1	Fault with the room temperature sensor on the N # indoor unit	<ul style="list-style-type: none"> ● Damage of the room temperature sensor on the indoor unit ● Poor contact of the room temperature sensor on the indoor unit ● Damage of wiring of the room temperature sensor on the indoor unit ● Damage of the main PCB on the indoor unit
A2	Fault with the temperature sensor in the Middle of N # indoor evaporator	<ul style="list-style-type: none"> ● Damage of the temperature sensor on the indoor unit ● Poor contact of the temperature sensor on the indoor unit ● Damage of wiring of the temperature sensor on the indoor unit ● Damage of the main PCB on the indoor unit
A3	Fault of temperature sensor at N evaporator inlet	<ul style="list-style-type: none"> ● Damage of temperature sensor at N # evaporator inlet ● Poor contact of temperature sensor at N # evaporator inlet ● Damage of wiring of temperature sensor at N # evaporator inlet ● Damage of the main PCB on the outdoor unit
A4	Fault of temperature sensor at N# evaporator outlet	<ul style="list-style-type: none"> ● Damage of temperature sensor at N# evaporator outlet ● Poor contact of temperature sensor at N# evaporator outlet ● Damage of wiring of temperature sensor at N# evaporator outlet ● Damage of the main PCB on the outdoor unit
A5	Fault with the drainage on N# Indoor unit	<ul style="list-style-type: none"> ● Float switch disconnected or poor wiring ● Error setting of model parameters ● Drain plug ● Damage of the pump
A6	Fault with the drainage on N# Indoor unit	<ul style="list-style-type: none"> ● Low voltage ● Poor wiring ● Damage of the main PCB on the indoor unit ● Damage of the motor
A9	Communication error between the outdoor unit and the N # indoor unit	<ul style="list-style-type: none"> ● Damage of the main PCB on the indoor unit ● Damage of the main PCB on the outdoor unit ● Poor wiring
AA	Communication error between the wired controller and main PCB of the indoor unit	<ul style="list-style-type: none"> ● Damage of the main PCB on the indoor unit ● Damage of the display board on the indoor unit ● Poor wiring
H1	High Pressure Switch Protection	<ul style="list-style-type: none"> ● system dirty blocking ● Damage of High Pressure Switch
H4	Low pressure switch protection	<ul style="list-style-type: none"> ● Lack of the refrigerant ● Stop valve unopened ● Damage of low pressure switch
C1	Fault with the Environmental temperature sensor on the outdoor unit	<ul style="list-style-type: none"> ● Damage of the Environmental temperature sensor on the outdoor unit ● Poor contact of the Environmental temperature sensor on the outdoor unit ● Damage of wiring of the Environmental temperature sensor on the outdoor unit ● Damage of the main PCB on the outdoor unit
C2	Fault with the defrosting temperature sensor on the outdoor unit	<ul style="list-style-type: none"> ● Damage of the defrosting temperature sensor on the outdoor unit ● Poor contact of the defrosting temperature sensor on the outdoor unit ● Damage of wiring of the defrosting temperature sensor on the outdoor unit ● Damage of the main PCB on the outdoor unit
C3	Fault with the discharge temperature sensor	<ul style="list-style-type: none"> ● Damage of the discharge temperature sensor on the outdoor unit ● Poor contact of the defrosting temperature sensor on the outdoor unit ● Damage of wiring of the defrosting temperature sensor on the outdoor unit ● Damage of the main PCB on the outdoor unit
C6	Fault with the suction temperature sensor	<ul style="list-style-type: none"> ● Damage of the suction temperature sensor on the outdoor unit ● Poor contact of the suction temperature sensor on the outdoor unit ● Damage of wiring of the suction temperature sensor on the outdoor unit ● Damage of the main PCB on the outdoor unit

FAULT CODE

Fault code	Fault description	Causes of possible failure
C8	Fault with the temperature Sensor in the Middle of outdoor condenser	<ul style="list-style-type: none"> ● Damage of the temperature sensor on the outdoor unit ● Poor contact of the temperature sensor on the outdoor unit ● Damage of wiring of the temperature sensor on the outdoor unit ● Damage of the main PCB on the outdoor unit
J3	Communication error between the driver PCB and main PCB of the outdoor unit	<ul style="list-style-type: none"> ● Damage of the driver PCB on the outdoor unit ● Damage of the main PCB on the outdoor unit ● Poor wiring
J7	Fault with the outdoor unit EEPROM	<ul style="list-style-type: none"> ● Fault with the EE chip on the outdoor unit PCB
E1	Fault of four way valve	<ul style="list-style-type: none"> ● Damage of four-way valve ● Damage to coil of four-way valve
E3	Protection high temperature discharge	<ul style="list-style-type: none"> ● Lack of the refrigerant ● Stop valve unopened ● Damage of the main PCB on the outdoor unit
E8	High Temperature Protection for Refrigeration Outdoor	<ul style="list-style-type: none"> ● Poor outdoor heat transfer
F6	Low pressure protection	<ul style="list-style-type: none"> ● Lack of the refrigerant ● Heat exchange viscera
FH	Protection lower temperature discharge	<ul style="list-style-type: none"> ● Temperature sensor shedding ● Damage of the main PCB on the outdoor unit
31	Module protection failure	<ul style="list-style-type: none"> ● Compressor damage ● Compressor IPM Module damage ● System blockage
32	Fault with the driver EEPROM	<ul style="list-style-type: none"> ● Damage of the EE chip of driver board
34	Compressor protection failure	<ul style="list-style-type: none"> ● Compressor power line not connected ● Compressor sequence connection error ● Damage of compressor ● System blockage
35	AC Over-current Protection of the Whole Machine	<ul style="list-style-type: none"> ● Excessive running current of the unit ● Voltage drops abruptly during operation
36	Fault with the over-voltage or low voltage protection	<ul style="list-style-type: none"> ● Excessive input voltage ● Lower input voltage
39	IPM Temperature sensor fault	<ul style="list-style-type: none"> ● Compressor IPM Module sensor damage ● Poor contact between compressor IPM module and radiator
3H	Fault with the Fan motor of outdoor unit	<ul style="list-style-type: none"> ● Damage of motor
3C	Outdoor DC Fan motor over current protection	<ul style="list-style-type: none"> ● The current of the outdoor DC fan motor is too large
3J	Overvoltage protection of outdoor DC fan motor	<ul style="list-style-type: none"> ● The voltage of the outdoor DC fan is too large or too small
3E	Compressor drive PFC software protection	<ul style="list-style-type: none"> ● Damage of the PFC circuit components ● Reactor damage
3F	Compressor drive PFC hardware protection	<ul style="list-style-type: none"> ● Damage of the PFC circuit components ● Reactor damage
41	IPM Protection of Outdoor DC Fan	<ul style="list-style-type: none"> ● The IPM Device of DC Motor is Bad
AD	Indoor anti-freezing protection	<ul style="list-style-type: none"> ● Dirty Blockage of Heat Exchanger in Refrigeration Indoor Unit Blockage of Internal Fan

FAULT CODE

Wall Mounted

Fault code	Fault description	Causes of possible failure
E1	Fault with the room temperature sensor on the N # indoor unit	<ul style="list-style-type: none"> ● Damage of the room temperature sensor on the indoor unit ● Poor contact of the room temperature sensor on the indoor unit ● Damage of wiring of the room temperature sensor on the indoor unit ● Damage of the main PCB on the indoor unit
E2	Fault with the Defrosting condenser Temperature Sensor in outdoor	<ul style="list-style-type: none"> ● Damage of the temperature sensor on the outdoor unit ● Poor contact of the temperature sensor on the outdoor unit ● Damage of wiring of the temperature sensor on the outdoor unit ● Damage of the main PCB on the outdoor unit
E3	Fault with the temperature sensor in the Middle of N # indoor evaporator	<ul style="list-style-type: none"> ● Damage of the temperature sensor on the indoor unit ● Poor contact of the temperature sensor on the indoor unit ● Damage of wiring of the temperature sensor on the indoor unit ● Damage of the main PCB on the indoor unit
E4	Fault with the Fan motor of N # indoor unit	<ul style="list-style-type: none"> ● Low voltage ● Poor wiring ● Damage of the main PCB on the indoor unit ● Damage of the motor
E5	Communication error between the outdoor unit and the N# indoor unit	<ul style="list-style-type: none"> ● Damage of the main PCB on the indoor unit ● Damage of the main PCB on the outdoor unit ● Poor wiring
E8	communication error between the display board and main PCB of the indoor unit	<ul style="list-style-type: none"> ● Damage of the main PCB on the indoor unit ● Damage of the main PCB on the outdoor unit ● Poor wiring
F0	Fault with the Fan motor of outdoor unit	<ul style="list-style-type: none"> ● Damage of motor
F1	Module protection failure	<ul style="list-style-type: none"> ● Compressor damage ● Compressor IPM Module damage ● System blockage
F2	Compressor drive PFC protection	<ul style="list-style-type: none"> ● Damage of the PFC circuit components ● Reactor damage
F3	Compressor protection failure	<ul style="list-style-type: none"> ● Compressor power line not connected ● Compressor sequence connection error ● Damage of compressor ● System blockage
F4	Fault with the discharge temperature sensor	<ul style="list-style-type: none"> ● Damage of the discharge temperature sensor on the outdoor unit ● Poor contact of the discharge temperature sensor on the outdoor unit ● Damage of wiring of the discharge temperature sensor on the outdoor unit ● Damage of the main PCB on the outdoor unit
F5	Temperature protection of compressor top cover	<ul style="list-style-type: none"> ● Damage of compressor top cover switch ● System blockage
F6	Fault with the Environmental temperature sensor on the outdoor unit	<ul style="list-style-type: none"> ● Damage of the Environmental temperature sensor on the outdoor unit ● Poor contact of the Environmental temperature sensor on the outdoor unit ● Damage of wiring of the discharge temperature sensor on the outdoor unit ● Damage of the main PCB on the outdoor unit
F7	Fault with the over-voltage or low voltage protection	<ul style="list-style-type: none"> ● Excessive input voltage ● Lower input voltage
F8	Communication error between the driver PCB and main PCB of the outdoor unit	<ul style="list-style-type: none"> ● Damage of the driver PCB on the outdoor unit ● Damage of the main PCB on the outdoor unit ● Poor wiring
F9	Fault with the outdoor unit EEPROM	<ul style="list-style-type: none"> ● Chip damage

FAULT CODE

Fault code	Fault description	Causes of possible failure
FA	Fault with the suction temperature sensor	<ul style="list-style-type: none"> ● Damage of the suction temperature sensor on the outdoor unit ● Poor contact of the suction temperature sensor on the outdoor unit ● Damage of wiring of the suction temperature sensor on the outdoor unit ● Damage of the main PCB on the outdoor unit
H1	Fault with the drainage on N# Indoor unit	<ul style="list-style-type: none"> ● Float switch disconnected or poor wiring ● Error setting of model parameters ● Drain plug ● Damage of the pump
H2	communication error between the wired controller and main PCB of the N# indoor unit	<ul style="list-style-type: none"> ● Poor wiring ● Damage of the wired controller ● Damage of the main PCB on the indoor unit
H3	Fault of temperature sensor at N # evaporator inlet	<ul style="list-style-type: none"> ● Damage of temperature sensor at N # evaporator inlet ● Poor contact of temperature sensor at N# evaporator inlet ● Damage of temperature sensor at N# evaporator inlet ● Damage of the main PCB on the outdoor unit
H4	Fault of temperature sensor at N# evaporator outlet	<ul style="list-style-type: none"> ● Damage of temperature sensor at N# evaporator outlet ● Poor contact of temperature sensor at N# evaporator outlet ● Damage of wiring of temperature sensor at N evaporator outlet ● Damage of the main PCB on the outdoor unit
H5	Protection lower temperature discharge	<ul style="list-style-type: none"> ● Temperature sensor shedding ● Damage of the main PCB on the outdoor unit
H6	Low pressure switch protection	<ul style="list-style-type: none"> ● Lack of the refrigerant ● Stop valve unopened ● Damage of low pressure switch
H7	Low pressure protection	<ul style="list-style-type: none"> ● Lack of the refrigerant ● Heat exchanger viscera
H8	Fault of four way valve	<ul style="list-style-type: none"> ● Damage of four-way valve ● Damage to coil of four-Way valve
H9	Inter-computer communication line connection fault	/
L0	Overvoltage and undervoltage protection of indoor DC motor	<ul style="list-style-type: none"> ● Excessive input voltage ● Lower input voltage
L1	Overvoltage protection of compressor	<ul style="list-style-type: none"> ● Damage of compressor ● System viscera
L2	Compressor operation failure	<ul style="list-style-type: none"> ● Damage of compressor ● System viscera
L3	Phase-absence protection of compressor	<ul style="list-style-type: none"> ● Damage of compressor ● Compressor power line not connected
L4	IPM Fault of compressor Drive module	<ul style="list-style-type: none"> ● Compressor drive module damage
L5	Compressor drive PFC hardware protection	<ul style="list-style-type: none"> ● Damage of the PFC circuit components ● Reactor damage
L6	Compressor drive PFC software protection	<ul style="list-style-type: none"> ● Excessive running current of the unit ● Voltage drops abruptly in operation
L7	AD Abnormal protection for compressor current detection	<ul style="list-style-type: none"> ● Sensor damage of compressor IPM module
L8	Compressor superpower protection	<ul style="list-style-type: none"> ● Sampling resistance damage ● Excessive operating power of compressor
L9	IPM Temperature sensor fault	<ul style="list-style-type: none"> ● Compressor IPM Module sensor damage ● Poor contact between compressor IPM module and radiator

FAULT CODE

Fault code	Fault description	Causes of possible failure
LA	Compressor start failure	<ul style="list-style-type: none"> ● Compressor power line not connected
LC	PFC Current Detection AD Abnormal Protection	<ul style="list-style-type: none"> ● Failure of PFC Module Circuit Device
LD	AD Abnormal Protection for Outdoor DC Fan Current Detection	<ul style="list-style-type: none"> ● Failure of DC Fan Module Circuit Device
LE	Phase-lacking protection of ourdoor DC fans	<ul style="list-style-type: none"> ● DC fan line not connected ● Three wires of DC fan are disconnected
LF	Outdoor DC Fan Out-of-step Pratectian	<ul style="list-style-type: none"> ● DC motor failure ● High Speed of DC Fan ● System dirty blocking
LH	IPM Protection of Outdoor DC Fan	<ul style="list-style-type: none"> ● The IPM Device of DC Motor is Bad
P2	High Pressure Switch Protection	<ul style="list-style-type: none"> ● System dirty blocking ● Damage of High Pressure Switch
P3	Protection of System Lack of Fluid	<ul style="list-style-type: none"> ● Lack of refrigerant ● Globe Valve Not Opened
P4	High Temperature Protection for Refrigeratlion Outdoor	<ul style="list-style-type: none"> ● Poor outdoor heat transfer
P5	Protection high temperature discharge	<ul style="list-style-type: none"> ● Lack of the refrigerant ● Stop valve unopened ● Damage of the main PCB on the outdoor unit
P6	High Temperature Protection in heating room	<ul style="list-style-type: none"> ● Poor indoor heat transfer
P7	Indoor anti-freezing protection	<ul style="list-style-type: none"> ● Dirty Blockage of Heat Exchanger in Refrigeration Indoor Unit ● Blockage of Internal Fan
P8	AC Over-current Protection of the Qhole Machine	<ul style="list-style-type: none"> ● Excessive running current of the unit ● Voltage drops abruptly in operation
5E	Communication error between the outdoor unit and the indoorunit	<ul style="list-style-type: none"> ● Damage of the main PCB on the indoor unit ● Damage of the main PCB on the outdoor unit ● Poor wiring

MAINTENANCE NOTICE

Attention:

For maintenance or scrap, please contact authorized service centers.

Maintenance by unqualified person may cause dangers.

Feed air conditioner with R32 refrigerant, and maintain the air conditioner in strictly accordance with manufacturer's requirements. The chapter is mainly focused on special maintenance requirements for appliance with R32 refrigerant.

Ask repairer to read after-sales technical service handbook for detailed information.

Qualification requirements of maintenance personnel

1. Special training additional to usual refrigerating equipment repair procedures is required when equipment with flammable refrigerants is affected. In many countries, this training is carried out by national training organisations that are accredited to teach the relevant national competency standards that may be set in legislation. The achieved competence should be documented by a certificate.
2. The maintenance and repair of the air conditioner must be conducted according to the method recommended by the manufacturer. If other professionals are needed to help maintain and repair the equipment, it should be conducted under the supervision of individuals who have the qualification to repair AC equipped with flammable refrigerant.

Inspection of the site

Safety inspection must be taken before maintaining equipment with R32 refrigerant to make sure the risk of fire is minimized. Check whether the place is well ventilated, whether anti-static and fire prevention equipment is perfect. While maintaining the refrigeration system, observe the following precautions before operating the system.

Operating procedures

1. General work area:

All maintenance staff and others working in the local area shall be instructed on the nature of work being carried out.

Work in confined spaces shall be avoided. The area around the workspace shall be sectioned off. Ensure that the conditions within the area have been made safe by control of flammable material.

2. Checking for presence of refrigerant:

The area shall be checked with an appropriate refrigerant detector prior to and during work, to ensure the technician is aware of potentially toxic or flammable atmospheres.

Ensure that the leak detection equipment being used is suitable for use with all applicable refrigerants, i.e. non-sparking, adequately sealed or intrinsically safe.

3. Presence of fire extinguisher:

If any hot work is to be conducted on the refrigeration equipment or any associated parts, appropriate fire extinguishing equipment shall be available to hand. Have a dry powder or CO₂ fire extinguisher adjacent to the charging area.

4. No ignition sources:

No person carrying out work in relation to a refrigeration system which involves exposing any pipe work shall use any sources of ignition in such a manner that it may lead to the risk of fire or explosion. All possible ignition sources, including cigarette smoking, should be kept sufficiently far away from the site of installation, repairing, removing and disposal, during which refrigerant can possibly be released to the surrounding space. Prior to work taking place, the area around the equipment is to be surveyed to make sure that there are no flammable hazards or ignition risks. 'No Smoking' signs shall be displayed.

5. Ventilated Area (open the door and window):

Ensure that the area is in the open or that it is adequately ventilated before breaking into the system or conducting any hot work. A degree of ventilation shall continue during the period that the work is carried out. The ventilation should safely disperse any released refrigerant and preferably expel it externally into the atmosphere.

6. Checks to the refrigeration equipment:

Where electrical components are being changed, they shall be fit for the purpose and to the correct specification. At all times the manufacturer's maintenance and service guidelines shall be followed. If in doubt, consult the manufacturer's technical department for assistance. The following checks shall be applied to installations using flammable refrigerants:

- The charge size is in accordance with the room size within which the refrigerant containing parts are installed.
- The ventilation machinery and outlets are operating adequately and are not obstructed.
- If an indirect refrigerating circuit is being used, the secondary circuit shall be checked for the presence of refrigerant.
- Refrigeration pipe or components are installed in a position where they are unlikely to be exposed to any substance which may corrode refrigerant containing components, unless the components are constructed of materials which are inherently resistant to being corroded or are suitably protected against being so corroded.

MAINTENANCE NOTICE

Operating procedures

7. Checks to electrical devices:

Repair and maintenance to electrical components shall include initial safety checks and component inspection procedures. If a fault exists that could compromise safety, then no electrical supply shall be connected to the circuit until it is satisfactorily dealt with. If the fault cannot be corrected immediately but it is necessary to continue operation, an adequate temporary solution shall be used. This shall be reported to the owner of the equipment so all parties are advised. Initial safety checks shall include:

- That capacitors are discharged: this shall be done in a safe manner to avoid possibility of sparking.
- That no live electrical components and wiring are exposed while charging, recovering or purging the system.
- Keep continuity of earthing.

Inspection of cable

Check the cable for wear, corrosion, overvoltage, vibration and check if there are sharp edges and other adverse effects in the surrounding environment. During the inspection, the impact of aging or the continuous vibration of the compressor and the fan on it should be taken into consideration.

Leakage check of R32 refrigerant

Note: Check the leakage of the refrigerant in an environment where there is no potential ignition source.

No halogen probe (or any other detector that uses an open flame) should be used.

Leak detection method:

For systems with refrigerant R32, electronic leak detection instrument is available to detect and leak detection should not be conducted in environment with refrigerant. Make sure the leak detector will not become a potential source of ignition, and is applicable to the measured refrigerant. Leak detector shall be set for the minimum ignitable fuel concentration (percentage) of the refrigerant. Calibrate and adjust to proper gas concentration (no more than 25%) with the used refrigerant.

The fluid used in leak detection is applicable to most refrigerants. But do not use chloride solvents to prevent the reaction between chlorine and refrigerants and the corrosion of copper pipeline.

If you suspect a leak, then remove all the fire from the scene or put out the fire.

If the location of the leak needs to be welded, then all refrigerants need to be recovered, or, isolate all refrigerants away from the leak site (using cut-off valve). Before and during the welding, use OFN to purify the entire system.

Removal and vacuum pumping

1. Make sure there is no ignited fire source near the outlet of the vacuum pump and the ventilation is well.
2. Allow the maintenance and other operations of the refrigeration circuit should be carried out according to the general procedure, but the following best operations that the flammability is already taken into consideration are the key.

You should follow the following procedures:

- Remove the refrigerant.
 - Decontaminate the pipeline by inert gases.
 - Evacuation.
 - Decontaminate the pipeline by inert gases again.
 - Cut or weld the pipeline.
3. The refrigerant should be returned to the appropriate storage tank. The system should be blown with oxygen free nitrogen to ensure safety. This process may need to be repeated for several times. This operation shall not be carried out using compressed air or oxygen.
 4. Through blowing process, the system is charged into the anaerobic nitrogen to reach the working pressure under the vacuum state, then the oxygen free nitrogen is emitted to the atmosphere, and in the end, vacuumize the system. Repeat this process until all refrigerants in the system is cleared. After the final charging of the anaerobic nitrogen, discharge the gas into the atmosphere pressure, and then the system can be welded. This operation is necessary for welding the pipeline.

MAINTENANCE NOTICE

Procedures of charging refrigerants

As a supplement to the general procedure, the following requirements need to be added:

- Make sure that there is no contamination among different refrigerants when using a refrigerant charging device. The pipeline for charging refrigerants should be as short as possible to reduce the residual of refrigerants in it.
- Storage tanks should remain vertically up.
- Make sure the grounding solutions are already taken before the refrigeration system is charged with refrigerants.
- After finishing the charging (or when it is not yet finished), label the mark on the system.
- Be careful not to overcharge refrigerants.

Scrap and recovery

Scrap:

Before this procedure, the technical personnel shall be thoroughly familiar with the equipment and all its features, and make a recommended practice for refrigerant safe recovery. For recycling the refrigerant, shall analyze the refrigerant and oil samples before operation. Ensure the required power before the test.

1. Be familiar with the equipment and operation.
2. Disconnect power supply.
3. Before carrying out this process, you have to make sure:
 - If necessary, mechanical equipment operation should facilitate the operation of the refrigerant tank.
 - All personal protective equipment is effective and can be used correctly.
 - The whole recovery process should be carried out under the guidance of qualified personnel.
 - The recovering of equipment and storage tank should comply with the relevant national standards.
4. If possible, the refrigerating system should be vacuumized.
5. If the vacuum state can't be reached, you should extract the refrigerant in each part of the system from many places.
6. Before the start of the recovery, you should ensure that the capacity of the storage tank is sufficient.
7. Start and operate the recovery equipment according to the manufacturer's instructions.
8. Don't fill the tank to its full capacity (the liquid injection volume does not exceed 80% of the tank volume).
9. Even the duration is short, it must not exceed the maximum working pressure of the tank.
10. After the completion of the tank filling and the end of the operation process, you should make sure that the tanks and equipment should be removed quickly and all closing valves in the equipment are closed.
11. The recovered refrigerants are not allowed to be injected into another system before being purified and tested.

Note: The identification should be made after the appliance is scrapped and refrigerants are evacuated.

The identification should contain the date and endorsement. Make sure the identification on the appliance can reflect the flammable refrigerants contained in this appliance.

Recovery:

1. The clearance of refrigerants in the system is required when repairing or scrapping the appliance. It is recommended to completely remove the refrigerant.
2. Only a special refrigerant tank can be used when loading the refrigerant into the storage tank. Make sure the capacity of the tank is appropriate to the refrigerant injection quantity in the entire system. All tanks intended to be used for the recovery of refrigerants should have a refrigerant identification (i.e. refrigerant recovery tank). Storage tanks should be equipped with pressure relief valves and globe valves and they should be in a good condition. If possible, empty tanks should be evacuated and maintained at room temperature before use.
3. The recovery equipment should be kept in a good working condition and equipped with equipment operating instructions for easy access. The equipment should be suitable for the recovery of R32 refrigerants. Besides, there should be a qualified weighting apparatus which can be normally used. The hose should be linked with detachable connection joint of zero leakage rate and be kept in a good condition. Before using the recovery equipment, check if it is in a good condition and if it gets perfect maintenance. Check if all electrical components are sealed to prevent the leakage of the refrigerant and the fire caused by it. If you have any question, please consult the manufacturer.
4. The recovered refrigerant shall be loaded in the appropriate storage tanks, attached with a transporting instruction, and returned to the refrigerant manufacturer. Don't mix refrigerant in recovery equipment, especially a storage tank.
5. The space loading R32 refrigeration can't be enclosed in the process of transportation. Take anti electrostatic measures if necessary in transportation. In the process of transport, loading and unloading, necessary protective measures must be taken to protect the air conditioner to ensure that the air conditioner is not damaged.
6. When removing the compressor or clearing the compressor oil, make sure the compressor is pumped to an appropriate level to ensure that there is no residual R32 refrigerants in the lubricating oil. The vacuum pumping should be carried out before the compressor is returned to the supplier. Ensure the safety when discharging oil from the system.

WARRANTY

Limited Warranty provided by Comfortside, LLC. (hereby referred to as Comfortside) applies only to registered products installed by a licensed HVAC technician and covers specified products and parts, subject to the following details:

Product Registration: Products must be registered for Limited Warranty within 60 days of installation by licensed HVAC technician. Products can be registered at armbridge.us. Alternatively, the warranty registration card from the product User's Manual can be filled out and sent in as instructed.

Warranty Coverage: The warranty covers the parts of the products which may be defective due to the quality of the materials or workmanship, under normal use and proper maintenance. Warranty is provided only to the first original owner of the Product, where it is originally installed, and is not transferable to the subsequent owners.

Warranty Exclusions: Comfortside is not responsible for any warranty claim:

1. For equipment installed outside of North America.
2. For equipment not installed according to manufacturer's guidelines.
3. For equipment which has been removed from the original site of installation and reinstalled at another location.
4. If registration information cannot be verified (i.e., invalid license number or wrong information provided).
5. Regarding damages or repairs arising as a result of a faulty installation, inappropriate application, or improper use.
6. Regarding damages or repairs arising from any external perils, out of Comfortside's control, acts of nature such as fires, storms, accidents, floods, broken or frozen water pipes, electrical surges, input power with under or overvoltage, lightning, or existence of corrosive substances nearby.
7. Regarding damages or repairs arising from use of non-compatible parts, third-party components, alterations, modifications, or improper applications.
8. Regarding improper service or poor maintenance of the equipment, such as cleaning of all air filters, heat exchangers, fans, and blowers, in addition to any necessary lubrication of internal components and maintenance of external accessories.
9. Regarding changes that can be considered cosmetic, including but not limited to small fin damages, scratches on the unit cover, etc.
10. Regarding resetting of power or the circuit breakers and replacement of other types of fuses, both internal and external.
11. Regarding any damage caused using dirty, recycled, or wrong type of refrigerants and lubricants.
12. Regarding damage due to moisture, air, dust, sand, dirt, etc., that have been allowed into the system.
13. Regarding damage caused by continuing use of the product after a malfunction has been noticed or indicated at the display module, through an error code.
14. Regarding damages or performance issues due to improper matching, product selection, under-sizing, over-sizing, improper installation, or misuse.
15. Regarding loss or replacement of refrigerant, lubricant, or oil.
16. Regarding labor or any costs associated with labor.

Warranty Begin Date: Warranty begins on the date of registration.

Warranty End Date: Products that have not been registered as instructed above are not covered under Warranty. The length of your Warranty depends on the specific model unit you have purchased. Information on Warranty length is available online, by visiting armbridge.us. As further explained below in detail, coverage is only for the original registered user who owns and resides in the dwelling or operates business in the property in which the product is installed.

WARRANTY

Remaining Warranty: Any part, component or product that is replaced under the terms of the Warranty, will be covered under the same Warranty for the duration in which the original Warranty for the product is applicable.

Warranty Procedure: Comfortside will furnish a new or refurbished part, without any charge for the part itself, for the replacement of any part that has been determined to have failed, by Comfortside at its sole discretion, due to defects in its materials or workmanship under standard use and proper maintenance. The payment of the shipping costs for the part will be the sole responsibility of the owner of the product. Comfortside reserves the right to ask the owner of the product to return the failed part before or after a replacement part is sent out. The product owner or technician should contact Comfortside Technical Support at (800) 977-0722, Monday to Friday from 9AM to 8PM Eastern Time, while the technician is on site, servicing the unit. The product may or may not display error codes. The technician should be on site while troubleshooting with the Comfortside Technical Support Agent so he or she can address symptoms observed, specific electrical and mechanical measurements, and other detailed information that may be required for proper diagnosis.

While technicians may refer to Comfortside's website or YouTube channel for helpful information, such as manuals and videos based on certain error codes, the technician will need to troubleshoot with the Technical Support Agent for Warranty purposes. Comfortside is not able to remotely diagnose a product and or offer remedies, without proper diagnosis results.

When contacting Technical Support, a licensed technician must be onsite, and the following information needs to be provided:

- The Serial Number of the unit.
- The product purchase invoice and an installation invoice from licensed HVAC technician.
- Case number (if applicable) provided during previous Technical Support call(s).
- Comfortside may ask for photos and/or other diagnostic information it deems necessary prior to processing the Warranty claim.

It should be noted that Comfortside Technical Support Agents troubleshoot on a case-by-case basis, following best practices and procedures to diagnose problems and solutions. Through this process, it is most efficient to diagnose one issue or error code at a time. It is possible that the first suggested solution may or may not solve one problem of multiple failures, in which case the Technician will continue through troubleshooting for remaining issues/error codes.

Labor cost, materials, and other costs: Any labor costs and/or the costs for the supplies or materials used or purchased in the field for the replacement of the defective part, remain the responsibility of the owner. No other costs involved in diagnosis, lodging, transportation, servicing, repair, replacement, installation, removal, shipping, etc., are to be covered under the Warranty.

Refrigerant: Any costs related to charging, recharging, adjustment, or removal of refrigerant, and the cost of the refrigerant itself, are not covered under any circumstances. All products go through vigorous quality

Comfortside does not cover any claims related to the lack of refrigerant in new products, discovered upon arrival, or during installation, as well as subsequent refrigerant loss occurring at any time afterward.

WARRANTY

This Warranty is not transferable. No person or entity is authorized to change the terms and conditions outlined in this Warranty agreement, in any respect, nor to create any additional obligations or liabilities for any party involved.

This warranty agreement supersedes all prior warranty agreements between the parties and constitutes the complete, final, and exclusive understanding of the parties with respect to the subject matter. All prior negotiations, representations, or promises, whether oral or written, of either party shall be deemed to have been merged herein.

If any part of this Warranty Agreement shall be invalidated for any reason, such part shall be deleted, and the remainder shall be unaffected and shall continue in full force and effect. This Warranty provides you certain legal rights and you may also have other rights, which vary from State to State. Therefore, some of these limitations or exclusions may not apply to you.

States with Express and Implied Warranties: Products in states with Express and Implied Warranties do not need to be registered for Comfortside Warranty. However, for Warranty support, installation invoice should be provided.

Pursuing legal remedies:

ARBITRATION CLAUSE. IMPORTANT. PLEASE REVIEW THIS ARBITRATION CLAUSE, AS IT AFFECTS YOUR LEGAL RIGHTS.

1. This arbitration clause affects your rights against Comfortside and any of its employees, agents, affiliates, successors, or assignees, all of whom together are referred to below as “we” or “us” for the simplicity of reference.
2. **ARBITRATION REQUIREMENT: EXCEPT AS STATED BELOW, ANY DISPUTE BETWEEN YOU AND ANY OF US SHALL BE DECIDED BY NEUTRAL AND BINDING ARBITRATION, RATHER THAN ANY COURT OR BY TRIAL BY JURY. ARBITRATION WILL BE HANDLED ONLY ON AN INDIVIDUAL BASIS AND ALL PARTIES EXPRESSLY WAIVE; ANY RIGHTS TO PARTICIPATE AS A CLASS REPRESENTATIVE OR CLASS MEMBER, ANY RIGHTS TO CLASS ARBITRATION OR ANY CONSOLIDATION OF INDIVIDUAL ARBITRATIONS. THE ARBITRATOR WILL BE A MEMBER OF THE AMERICAN ARBITRATION ORGANIZATION.** The meaning of “Dispute” has the broadest possible meaning allowable by law, including any controversy, claim or other dispute, relating to or arising from the purchase of the product, any of the warranties upon the product, or the condition of the product, as well as the determination of the application or the scope of the Arbitration Clause itself. Rights to appeal and discovery are also limited in arbitration based on the rules of the arbitration organizations.
3. **Governing Law:** Effect and procedures of arbitration will be governed by the Federal Arbitration Act (9 U.S.C. § et seq.) rather than any related state law. In case of any substantive warranty, your claims and rights under such substantive warranty will be governed by the applicable law of the state in which Product was purchased.
4. **Location of the Arbitration:** Unless otherwise provided under the applicable law, arbitration hearing will be conducted in the judicial district in Miami-Dade County, Florida.
5. **Costs of the Arbitration:** Unless otherwise provided under the applicable law, each party will be responsible for its own cost, payable to the arbitration organization, and the costs of their attorneys, experts or other fees.
6. **Survival and Enforceability of the Arbitration Clause:** This arbitration clause will survive the expiration or termination of this warranty agreement, indefinitely.



DE-COMMISSIONING,DISMANTLING&DISPOSAL

This product contains refrigerant under pressure, rotating parts, and electrical connections which may be a danger & cause injur. All work must only be carried out by competent persons using suitable protective clothing and safety precautions.



Read the Manual



Risk of Electric Shock

RoHS



Unit is Remotely controlled
& may start without warning



1. Isolate all sources of electrical supply to the unit including any control system supplies switched by the unit. Ensure that all points of electrical and gas isolation are secured in the OFF position. The supply cables and gas pipe work may then be disconnected and removed. For points of connection refer to unit installation instructions.
2. Remove all refrigerant from each system of the unit into a suitable container using a refrigerant reclaim or recovery unit. This refrigerant may then be reused, if appropriate, or returned to the manufacturer for disposal. Under no circumstances should refrigerant be vented to atmosphere Where appropriate, drain the refrigerant oil from each system into a suitable container and dispose of according to local laws and regulations governing disposal of oily wastes.
3. Packaged units can generally be removed in one piece after disconnection as above. Any fixing down bolts should be removed and then unit lifted from position using the points provided and equipment of adequate lifting capacity. Reference **MUST** be made to the unit installation instructions for unit weight and correct methods of lifting. Note that any residual or spilt refrigerant oil should be mopped up and disposed of as described above.
4. After removal from position the unit parts may be disposed of according to local laws and regulations.
5. Meaning of crossed Out wheeled dustbin: Do not dispose of electrical appliances as unsorted municipal waste, use separate collection facilities. Contact your local government for information regarding the collection systems available. If electrical appliances are disposed of in landfills or dumps, hazardous substances can leak into the groundwater and get into the food chain, damaging your health and well being. When replacing old appliances with new ones, the retailer is legally obligated to take back your old appliance for disposals at least free of charge.

Made in China





09102025

Made in China