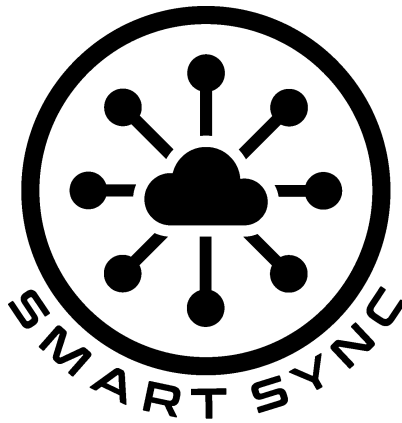




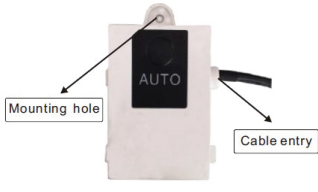
SMART SYNC APP MANUAL



- Please read this manual carefully and thoroughly before installing the unit.
- Take care of this manual for future reference.

WIFI Control

1. WIFI Module Configuration

IDU Types	Capacity	WIFI	Function Method
Ceiling Cassette	9, 12, 18, 24 K	✓	<p>WIFI module</p>  <p>Technical parameters:</p> <ul style="list-style-type: none"> • Working temperature: 32~122°F (0~50 °C); • Working environment humidity: 20~90%RH; • Dimensions: 78 X 52 X 15.5 • Configuration cable wire length: 59 in. (1500 mm)
Duct	9, 12, 18, 24 K	✓	
Wall Mounted	7, 9, 12, 18, 24 K	✓	Optionally equipped with integrated Wi-Fi

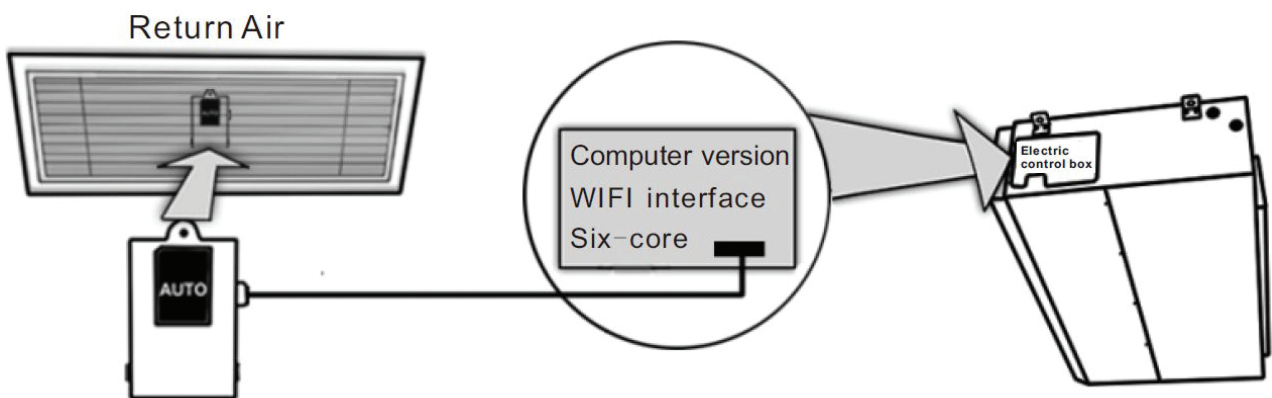
2. WIFI Module Configuration

Mobile terminal scans the following intelligent QR code to download APP for IOs or Android, or search “AC Freedom” in App Store and Google store.



3. Light Commercial WIFI Module Installation

Connect the WIFI module communication wire to WIFI interfaces of main PCB, as shown below:



The WIFI module should be placed in the return air or some other place in WIFI area. (Customers should prepare the wireless router)

WIFI Control

4. Reset AC WIFI Module

In the case of first time configuration or after changing the connected wireless router, the WI-FI module inside the air conditioner needs to be reset.

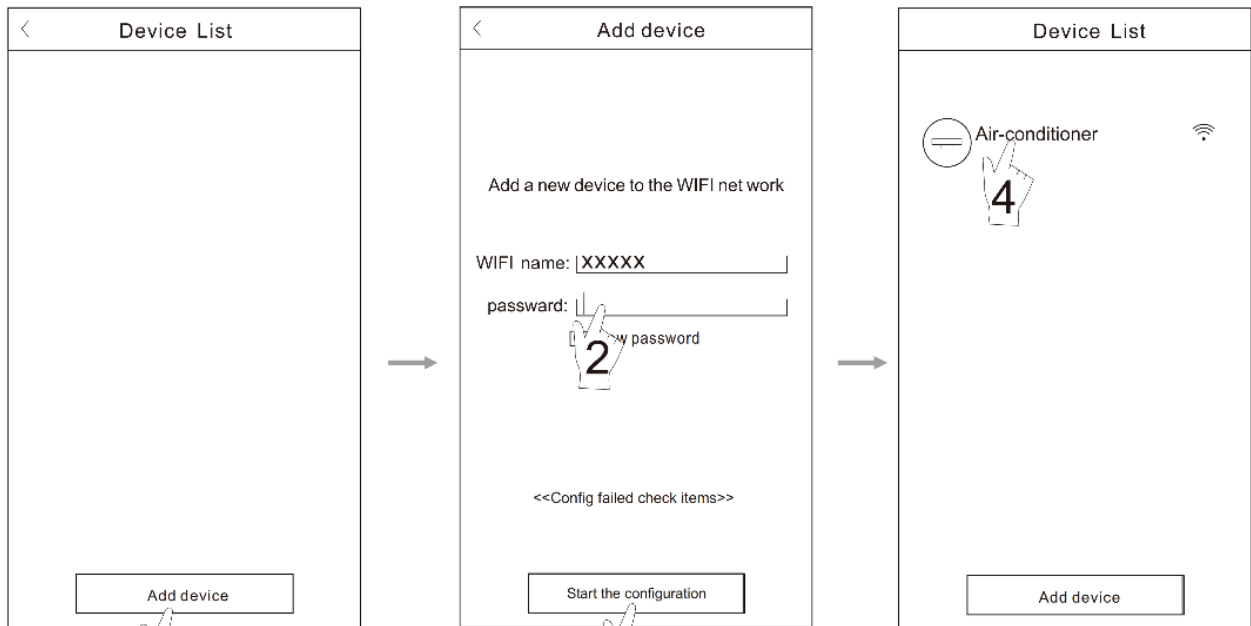
NOTE:

The remote control provided in this figure is just one of many models which is for your reference only. Please rely on the model you have actually bought, though the operations are the same for all models.

- If remote controller has "HEALTH" button, reset the WI-FI module as following:
When AC is running, press "HEALTH" button 8 times, reset successfully after twice "beep" sounds.
- If remote controller has no "HEALTH" button, reset the WI-FI module as following:
When AC is running, press "COOL"(or SOFT) button and "+" button together for 3s, hear "beep" sound for 8 times, then interval 2s and hear twice "beep" sounds, reset successfully.

5. Configure the Devices

After the control software is downloaded and installed on the mobile terminal, configure the AC devices according to the following figure.



Activate the control software and click "Add device" after the WIFI module is reset.

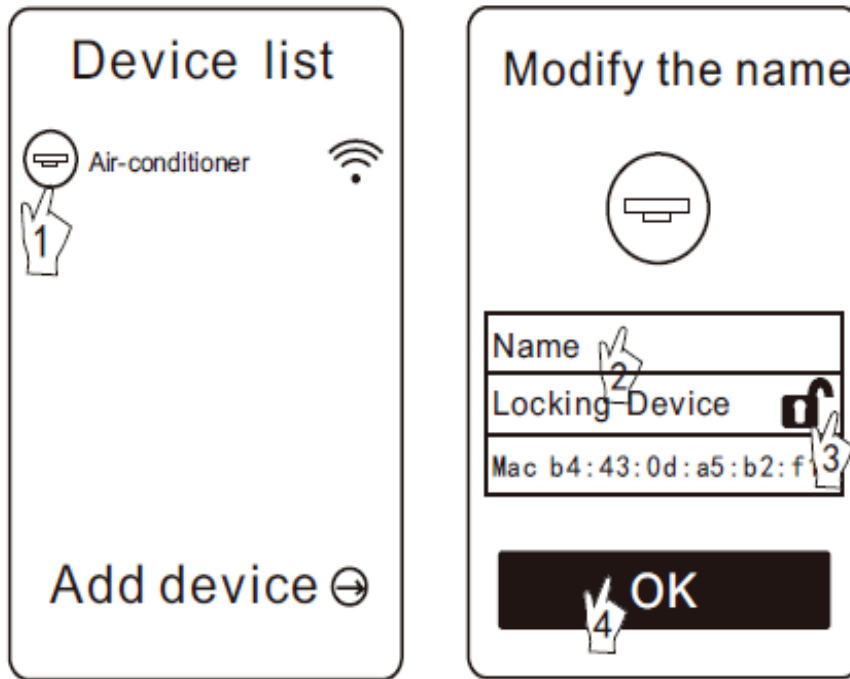
the WI-FI name will automatically appear in "Wi-Fi name". Enter the password of the Wi-Fi and click "Start the configuration".

Once the configuration is complete, the "Device List" interface will be automatically returned to and the configured the AC can be seen.

WIFI Control

6. AC Management

1. Modify AC name and locking function



NOTE:

If you had locked AC equipment, you need to unlock before connecting other mobile terminal. If the mobile terminal locked AC was accidentally lost, you need to reset WIFI module first, and then use the new mobile terminal to connect (Reset step is same with 1.3 APP configuration).

- 2. For other instructions, please refer to "HELP" in APP.
- 3. Remote-control device

Connect the wireless router to internet, then open the GPRS. It means the remote-control device, voice control function only effective after connected to the Internet.

7. Config Failed Check Items

- 1. Please check the Wi-Fi icon on the air conditioner panel, if the icon not display, please contact customer service.
- 2. Please make sure the mobile phone network under the current router WI-FI environment: Close the mobile phone 3G/4G data connection, to be connected to the router WI-FI pairing.
- 3. Please check whether the module is reset successfully. For details, see "Reset AC WI-FI module".
- 4. Please check the Wi-Fi name of the router, it is recommended not to include spaces and other non-alphanumeric characters.
- 5. Please check the Wi-Fi password of the router, not allowed more than 32 bits, it is recommended not to include spaces and other non-alphanumeric characters.
- 6. Please check whether the Wi-Fi password input is correct when APP configuration : you can check show password to confirm when you input the WIFI password..



05302025

MADE IN CHINA